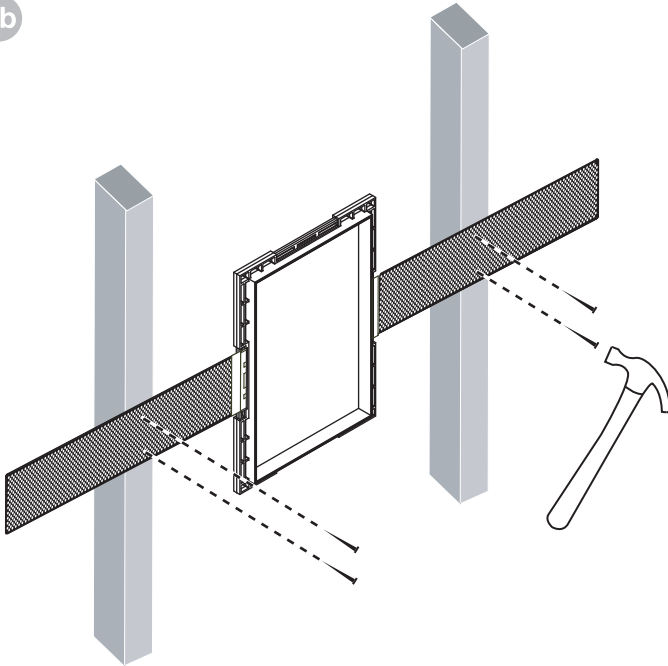
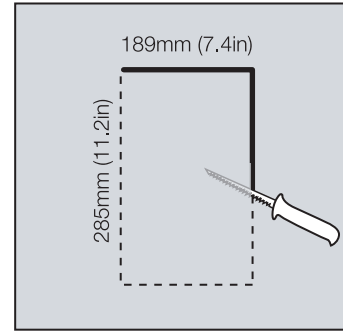


2b

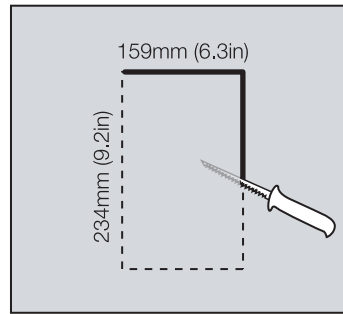


2c

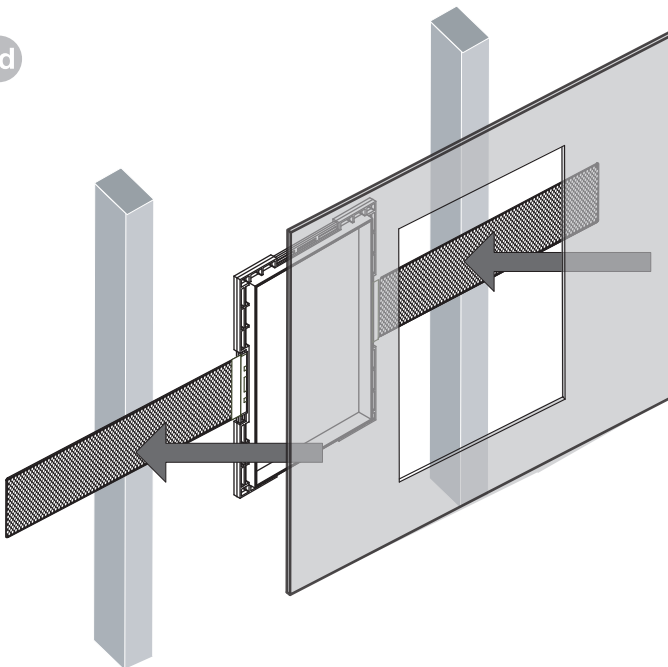
PMK W6



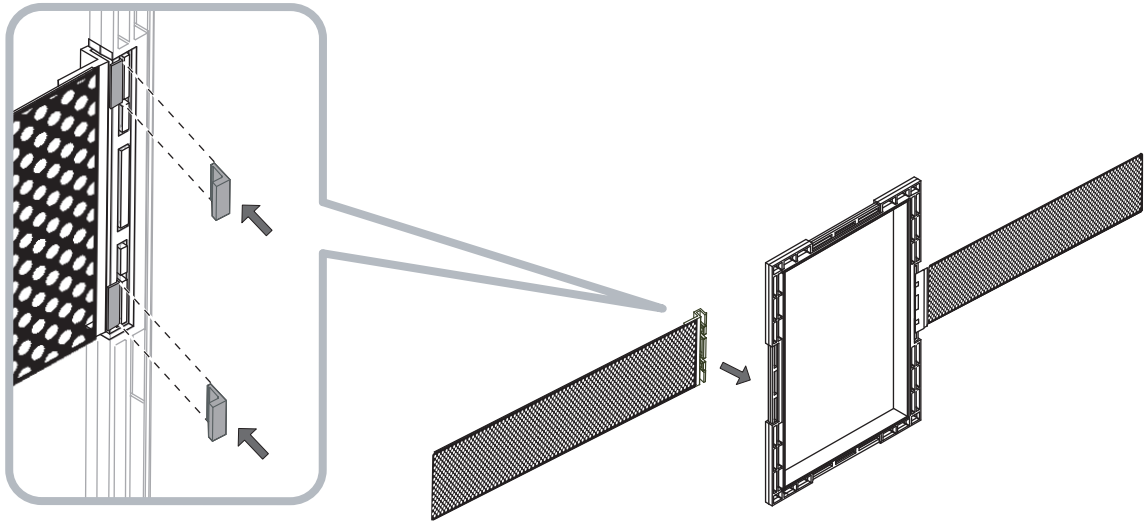
PMK W5



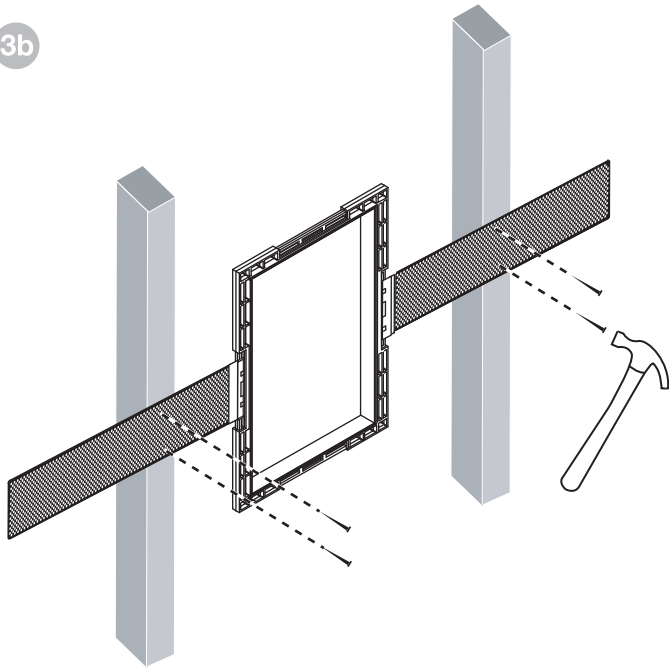
2d



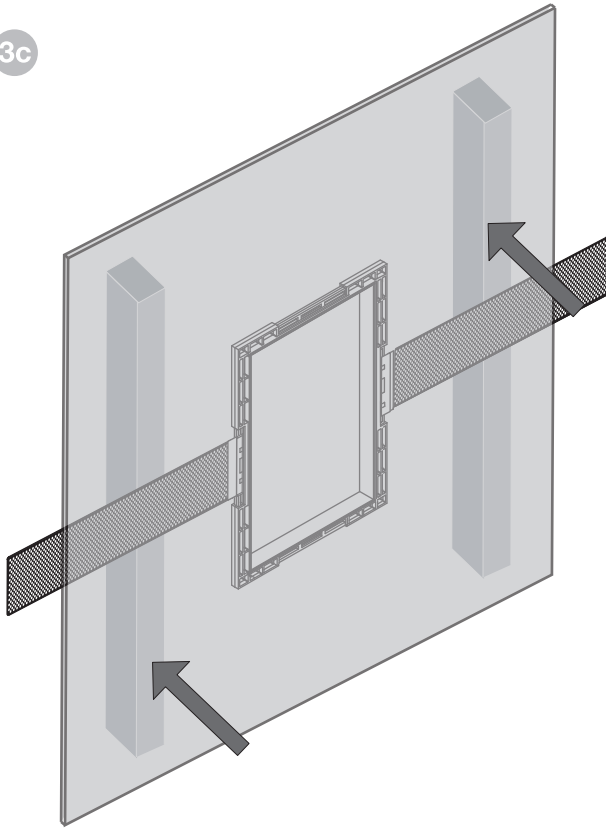
3a



3b



3c



1112907 Issue 1

Bowers & Wilkins

B&W Group Ltd
Dale Road
Worthing West Sussex
BN11 2BH England

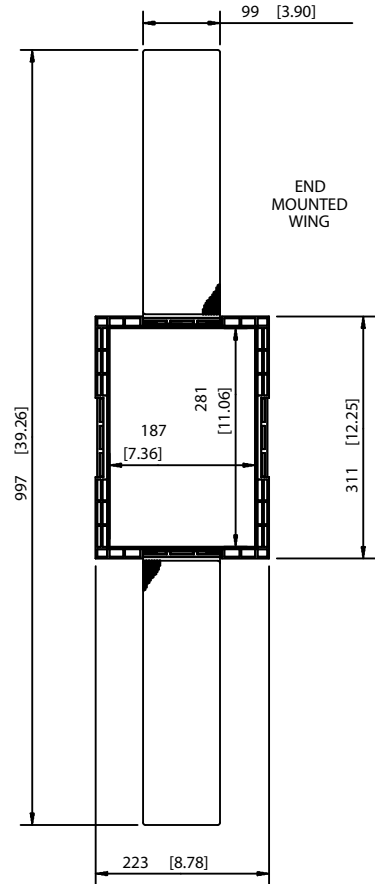
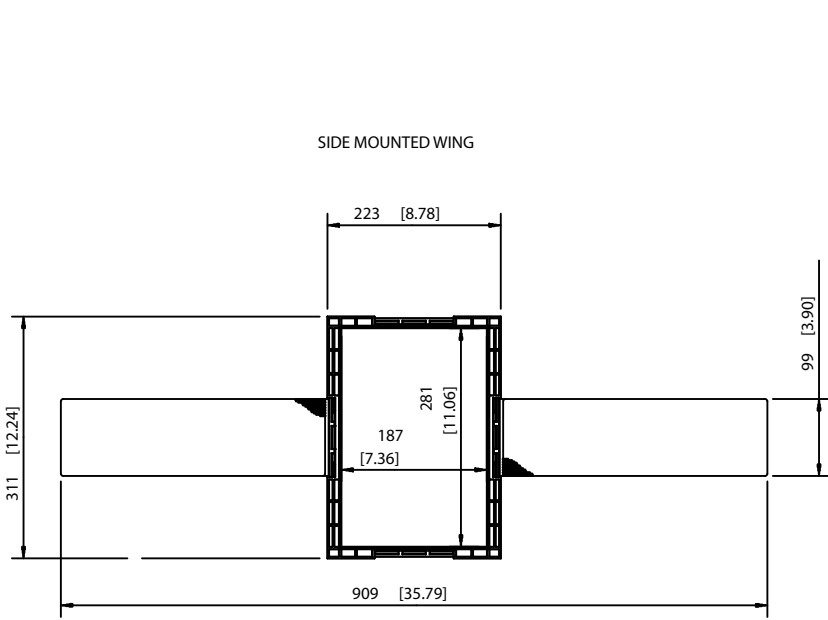
T +44 (0) 1903 221 800
F +44 (0) 1903 221 801
info@bwgroup.com
www.bowers-wilkins.com

B&W Group (UK Sales)
T +44 1903 221 500
E uksales@bwgroup.com

Copyright © B&W Group Ltd. E & OE

B&W Group North America
T +1 978 664 2870
E marketing@bwgroupusa.com


B&W Group Asia Ltd
T +852 3 472 9300
E info@bwgroup.hk



DIMENSIONS IN [BRACKETS] ARE INCHES

The Supplier shall ensure that the Goods, including associated manufacturing practices, conform in all respects with the requirements of all applicable statutes

orders or regulations

 Bowers & Wilkins UNLESS OTHERWISE STATED	DIMENSIONS IN mm TOLERANCES 0. ± 0.5 0.0 ± 0.3 0.00 ± 0.1 ANGLES ± 0.5°	MATERIAL N/A	FINISH N/A	TITLE PMK W6 LINE DRAWING	ECN NO. 28-3-06	DATE 28-3-06	APPROVAL [Signature]	COPYRIGHT © 2006 DRAWN GMP DATE 27-1-06	PART NO. FP25349
	DO NOT SCALE	2 DIMENSION 997 WAS 807 & 909 WAS 719 ISS AMENDMENT	ECN NO. 28-3-06	DATE 28-3-06	APPROVAL [Signature]	CHECKED / APPROVED [Signature]	SCALE 1:5	DRG. NO. A7864-1-1	ISS

FULL DRG SIZE A3

②