



**Affordable, high-quality audio everywhere.**

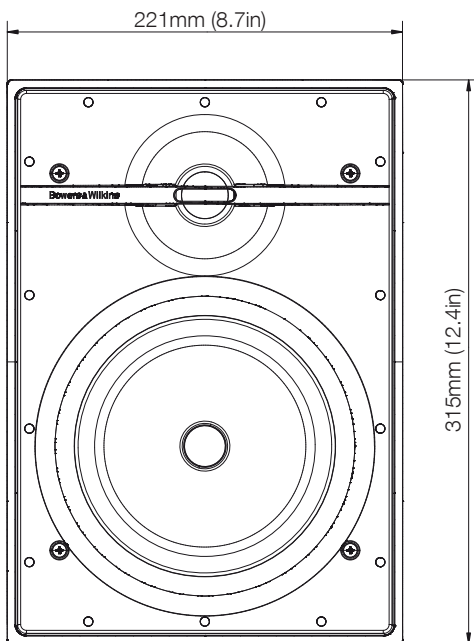
Speakers from Bowers & Wilkins have always been recognised as delivering the best audio experience at any level. Techniques and materials honed to perfection in our core models have been successfully carried over to our custom products, so that those who want to hear everything whilst seeing nothing have had a clear solution. That is unless the environment is one of high humidity, such as a shower room or indoor swimming pool, which are unsuited to some of the advanced materials we have employed.

All change!

The three models in the new CI 300 Series have been specifically designed to cope with these more demanding environments, so whereas their cost effectiveness may lead them to being described as entry level, they also provide a point of entry to areas of the home that were previously off-limits for high-quality installation loudspeakers.

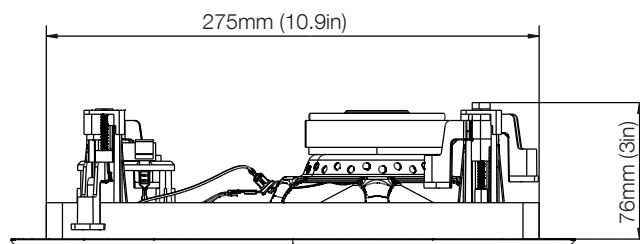
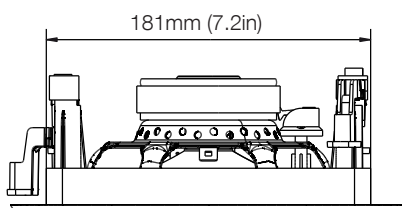
**CWM362**

The CWM362 is a two-way in-wall loudspeaker. Like the in-ceiling models in the series, it features an elegant minimal-width border design.



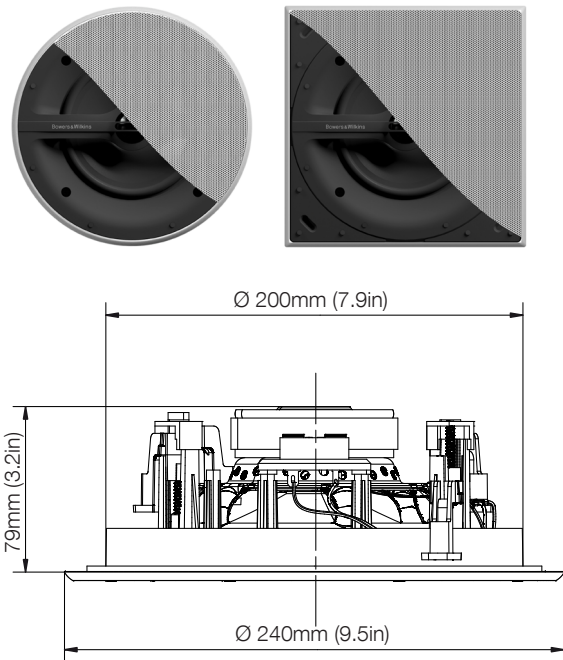
**CWM362 Technical Specifications**

<b>Description</b>	2-way in-wall system
<b>Drive Units</b>	1x 160mm (6in) Polypropylene cone bass/midrange 1x 25mm (1in) soft dome tweeter
<b>Frequency Range (-6dB)</b>	50Hz - 30kHz
<b>Sensitivity SPL (2.83V, 1m)</b>	89dB
<b>Impedance Nominal (min)</b>	8Ω (5.0Ω)
<b>Power Handling</b>	80W
<b>Pre-mount Kit</b>	PMK W6
<b>Back Box</b>	BB 6W



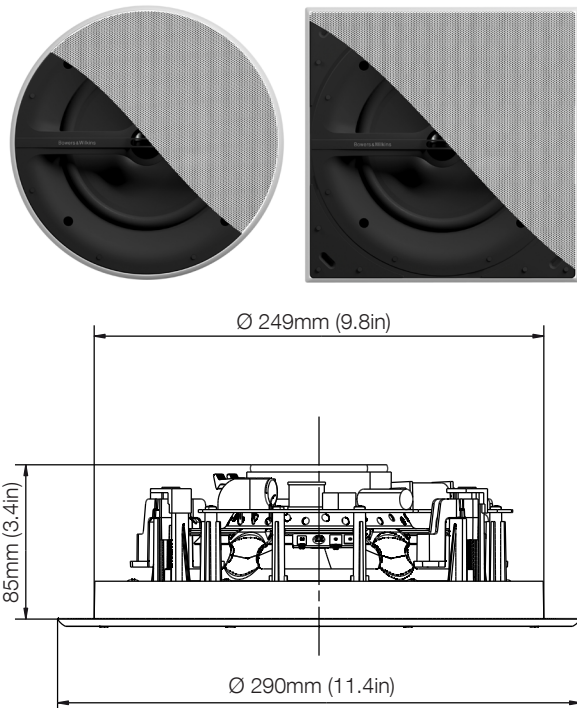
## CCM362 and CCM382

The coaxial CCM362 and CCM382 offer a choice of size dependent on the output level required. Both are balanced for wide-angle listening, commensurate with their in-ceiling placement, and both offer a choice of round or square aspect.



### CCM362 Technical Specifications

<b>Description</b>	2-way in-ceiling system
<b>Drive Units</b>	1x 160mm (6in) Polypropylene cone bass/midrange 1x 25mm (1in) soft dome tweeter
<b>Frequency Range (-6dB)</b>	50Hz - 30kHz
<b>Sensitivity SPL (2.83V, 1m)</b>	89dB
<b>Impedance Nominal (min)</b>	8Ω (5.0Ω)
<b>Power Handling</b>	80W
<b>Pre-mount Kit</b>	PMK C6
<b>Back Box</b>	BB 6C



### CCM382 Technical Specifications

<b>Description</b>	2-way in-ceiling system
<b>Drive Units</b>	1x 200mm (8in) Polypropylene cone bass/midrange 1x 25mm (1in) soft dome tweeter
<b>Frequency Range (-6dB)</b>	45Hz - 30kHz
<b>Sensitivity SPL (2.83V, 1m)</b>	90dB
<b>Impedance Nominal (min)</b>	8Ω (5.0Ω)
<b>Power Handling</b>	80W
<b>Pre-mount Kit</b>	PMK C8
<b>Back Box</b>	BB 6C

Bowers & Wilkins

[www.bowers-wilkins.com](http://www.bowers-wilkins.com)

Copyright © B&W Group Ltd. E&OE

