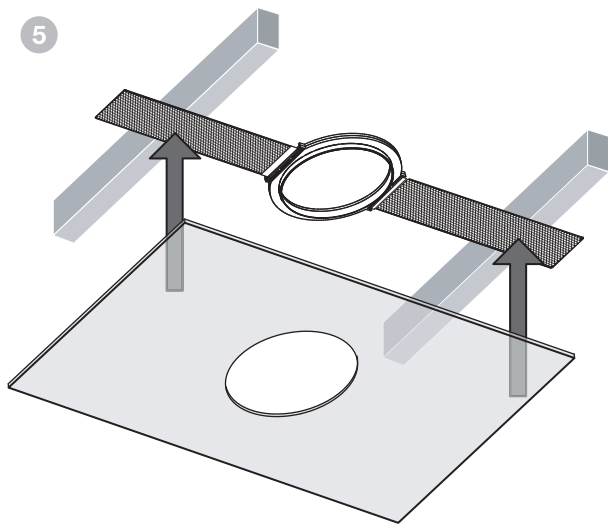
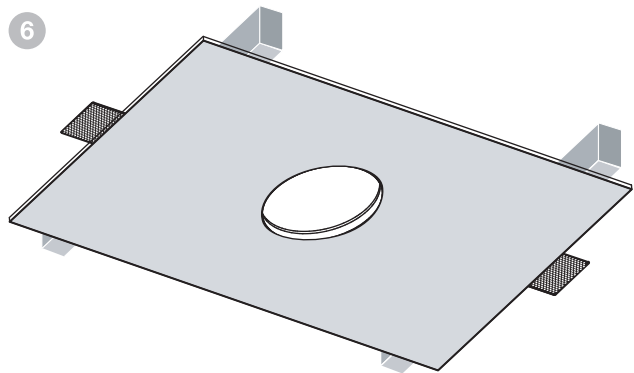


5



6



EU DECLARATION OF CONFORMITY

We,

B&W Group Ltd.

whose registered office is situated at

Dale Road, Worthing, West Sussex, BN11 2BH, United Kingdom

declare under our sole responsibility that the products:

PMK C3, PMK C6 and PMK C8

comply with the EU General Product Safety 2001/95/EC, in pursuance of which the following standard has been applied:

BS EN 60065:2002 + A12:2011

This declaration attests that the manufacturing process quality control and product documentation accord with the need to assure continued compliance.

The attention of the user is drawn to any special measures regarding the use of this equipment that may be detailed in the owner's manual.

Signed:



G Edwards
Executive Vice President, Operations
B&W Group Ltd.

Bowers & Wilkins

B&W Group Ltd
Dale Road
Worthing West Sussex
BN11 2BH England

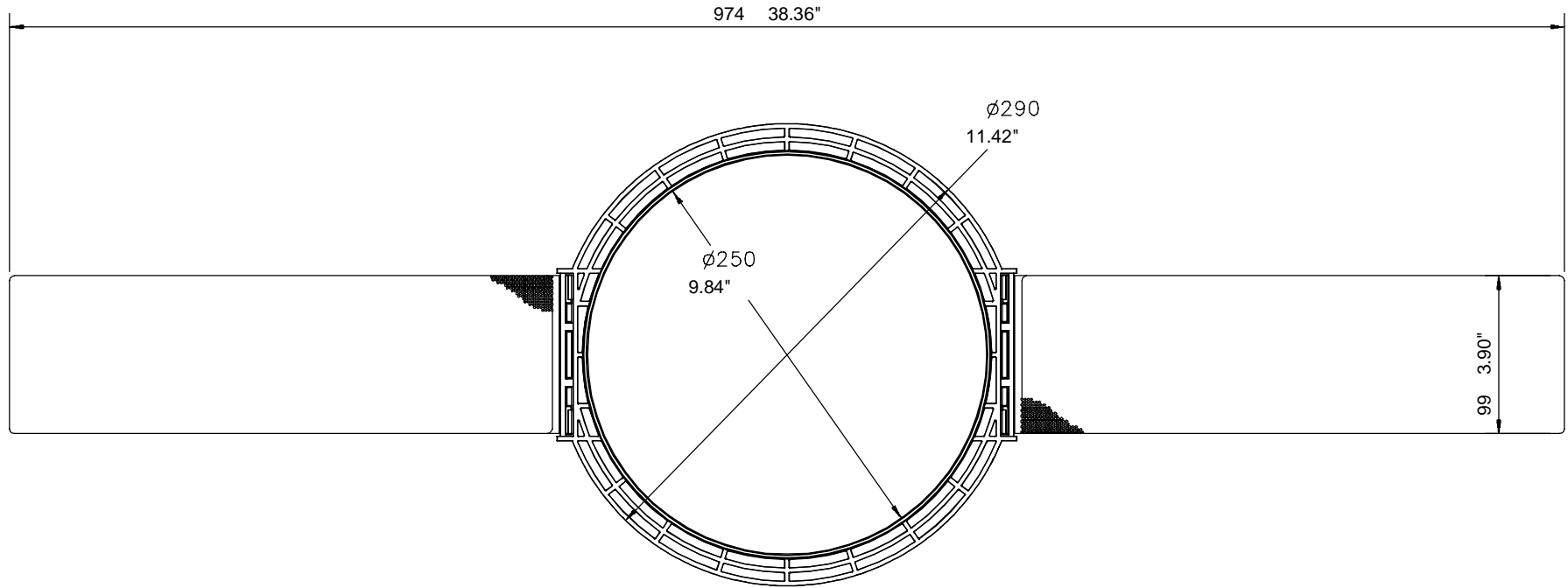
T +44 (0) 1903 221 800
F +44 (0) 1903 221 801
info@bwgroup.com
www.bowers-wilkins.com

B&W Group (UK Sales)
T +44 1903 221 500
E uksales@bwgroup.com

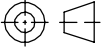

B&W Group North America
T +1 978 664 2870
E marketing@bwgroupusa.com

B&W Group Asia Ltd
T +852 3 472 9300
E info@bwgroup.hk

Copyright © B&W Group Ltd. E & OE



The Supplier shall ensure that the Goods, including associated manufacturing practices, conform in all respects with the requirements of all applicable statutes, orders or regulations

 DO NOT SCALE  Bowers & Wilkins	DIMENSIONS IN mm TOLERANCES 0. ± 0.5 0.0 ± 0.3 0.00 ± 0.1 ANGLES ± 0.5° UNLESS OTHERWISE STATED	MATERIAL N/A	FINISH N/A	2 DIMENSION 974 WAS 784 AMENDMENT ECN NO. DATE APPROVAL ECN NO. DATE APPROVAL	ECR2236 28-3-06 ECN NO. DATE APPROVAL	COPYRIGHT © 2006 DRAWN GMP DATE 26-1-06 CHECKED / APPROVED SCALE 1:2.5 FULL DRG SIZE A3	PART NO. FP25375 DRG. NO. A7863-1-1	ISS (2)
	TITLE PMK C8 LINE DRAWING							