

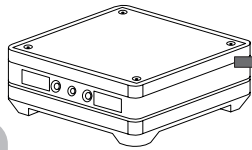
Bowers & Wilkins

Custom Installation

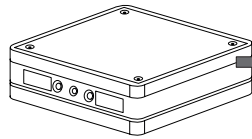
BB1 25C

BB1 65C

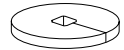
1



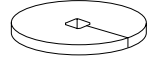
1 x **a**



1 x **c**



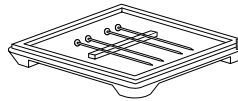
1 x **d**



1 x **e**



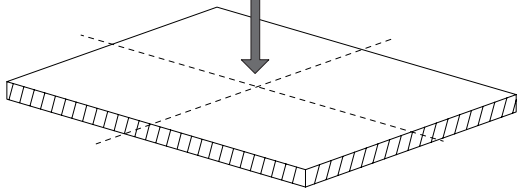
1 x **b**



4 x **f**

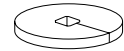


2



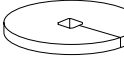
3

**c**

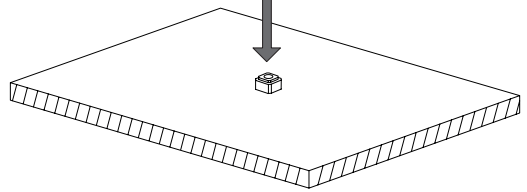
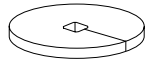


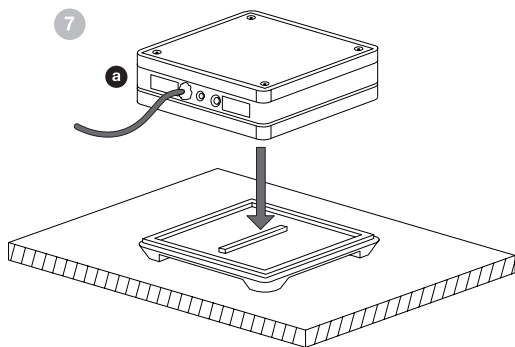
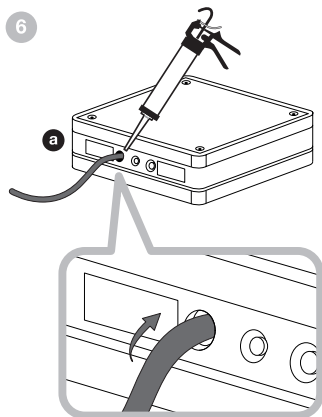
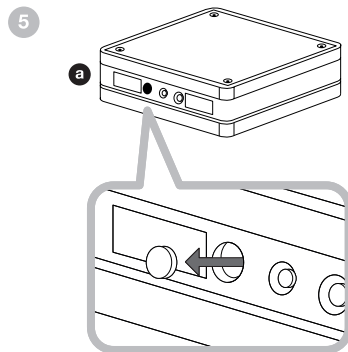
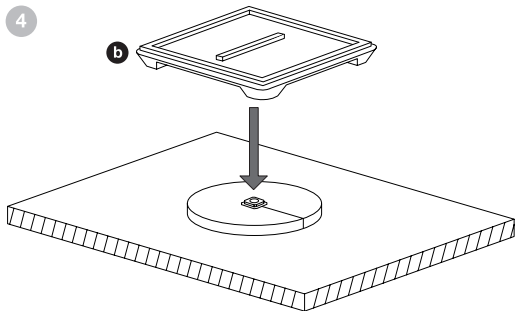
= 6in

**d**

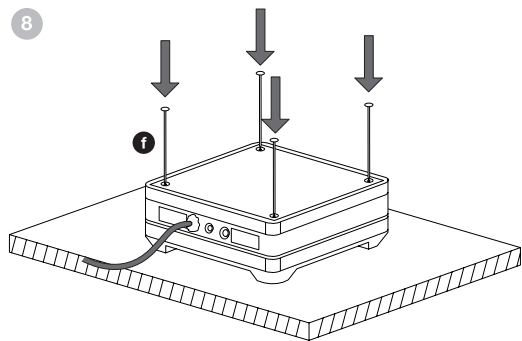


= 8in

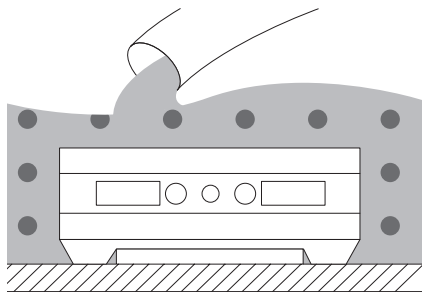




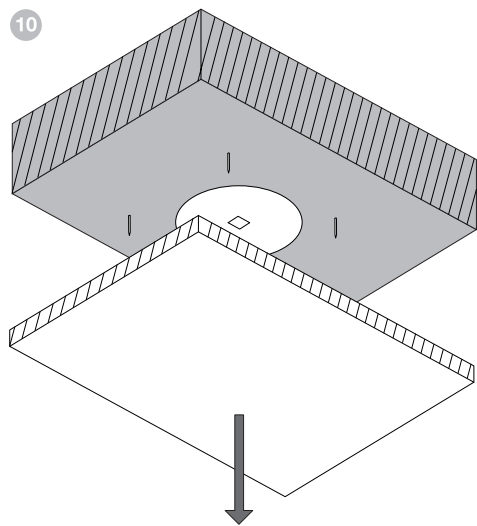
8



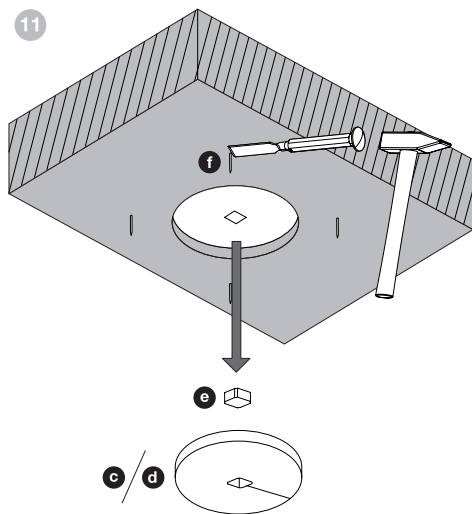
9



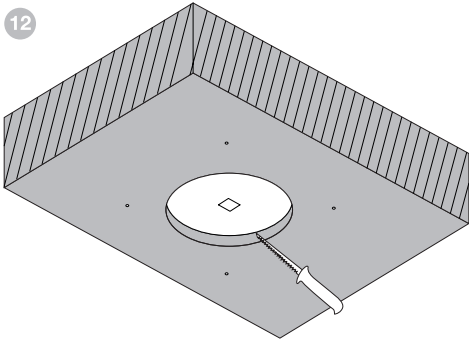
10



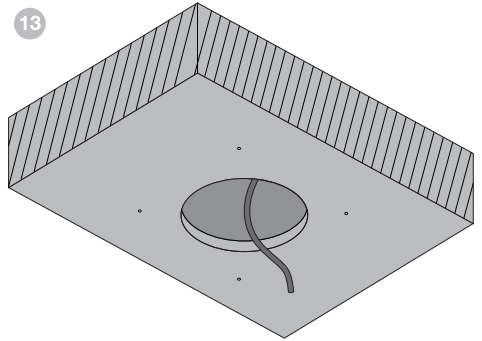
11



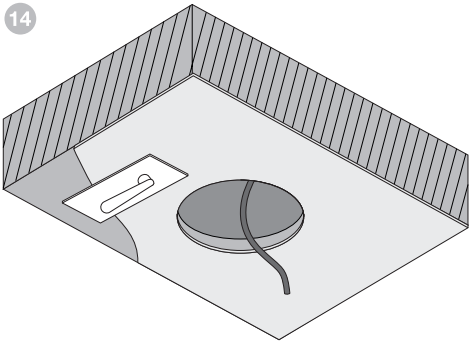
12



13



14



EU DECLARATION OF CONFORMITY

We,

**B&W Group Ltd.**

whose registered office is situated at

**Dale Road, Worthing, West Sussex, BN11 2BH, United Kingdom**

declare under our sole responsibility that the products:

**BB125C and BB165C**

comply with the EU Electro-Magnetic Compatibility (EMC) Directive 89/336/EEC, in pursuance of which the following standards have been applied:

EN 61000-6-1 : 2007

EN 61000-6-3 : 2007

EN 55020 : 2007

EN 55013 : 2001


and comply with the EU General Product Safety 2001/95/EC, in pursuance of which the following standard has been applied:

BS EN 60065:2002 + A12:2011

This declaration attests that the manufacturing process quality control and product documentation accord with the need to assure continued compliance.

The attention of the user is drawn to any special measures regarding the use of this equipment that may be detailed in the owner's manual.

Signed:

A handwritten signature in black ink, appearing to read 'G Edwards', written over a white background.

G Edwards  
Executive Vice President, Operations  
B&W Group Ltd.

# Bowers & Wilkins

B&W Group Ltd  
Dale Road  
Worthing West Sussex  
BN11 2BH England

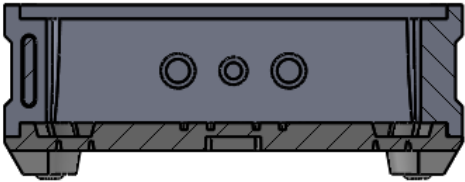
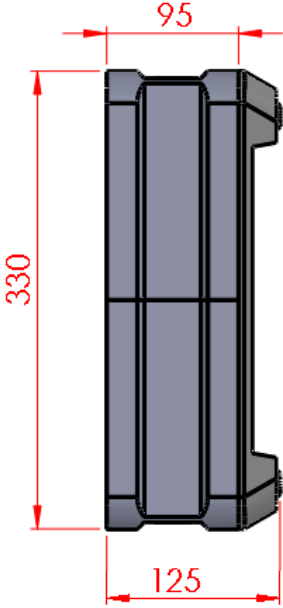
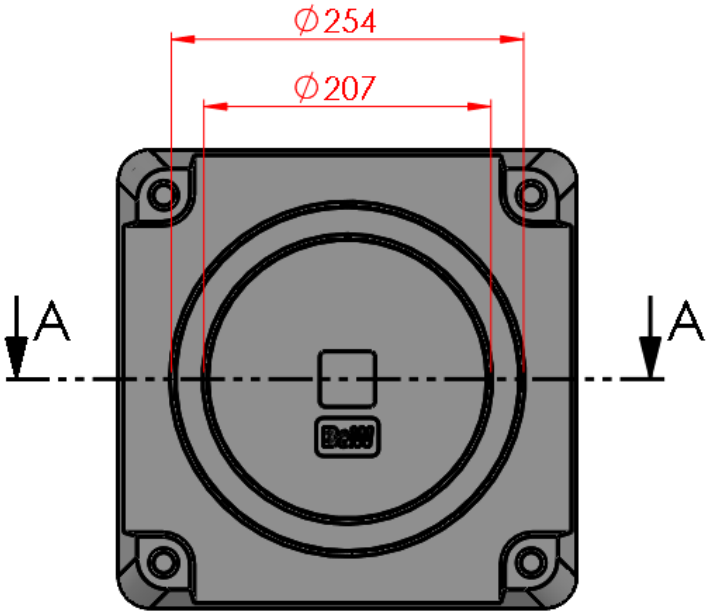
T +44 (0)1903221800  
F +44 (0)1903221801  
info@bwgroup.com  
www.bowers-wilkins.com

B&W Group (UK Sales)  
T +44(0)1903221500  
E uksales@bwgroup.com

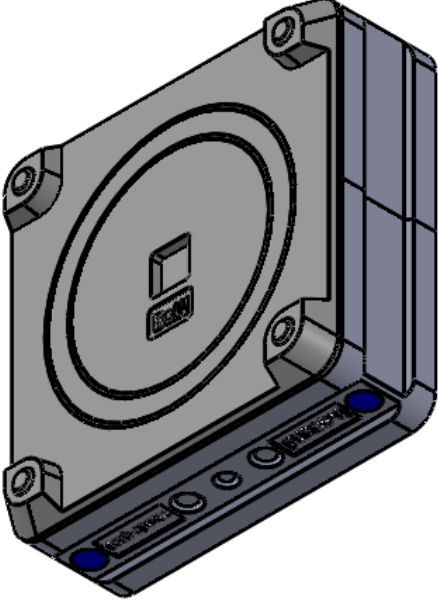
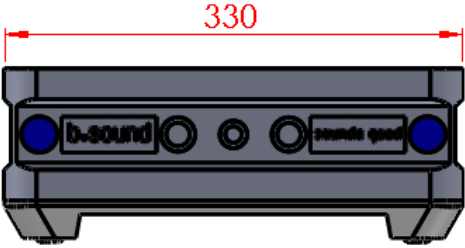
B&W Group North America  
T +1 978 664 2870  
E marketing@bwgroupusa.com

B&W Group Asia Ltd  
T +852 3 472 9300  
E info@bwgroup.hk

Copyright © B&W Group Ltd. E&OE  
Printed in China.

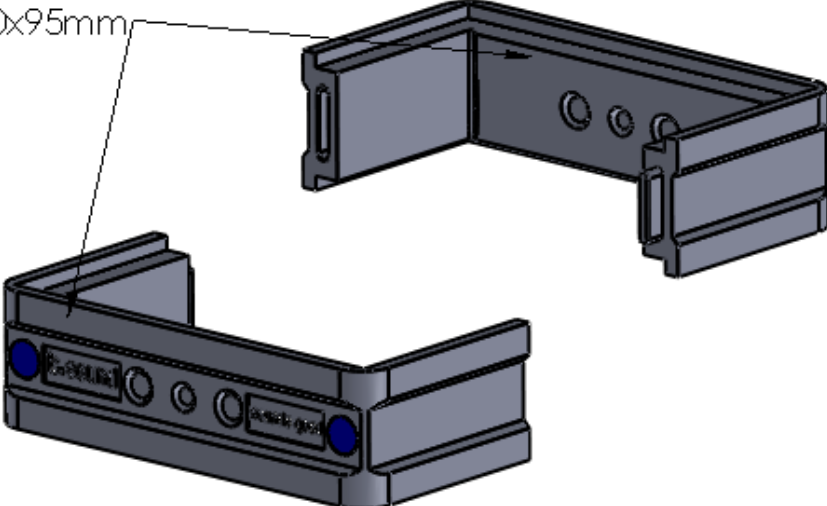


SCHNITT A-A



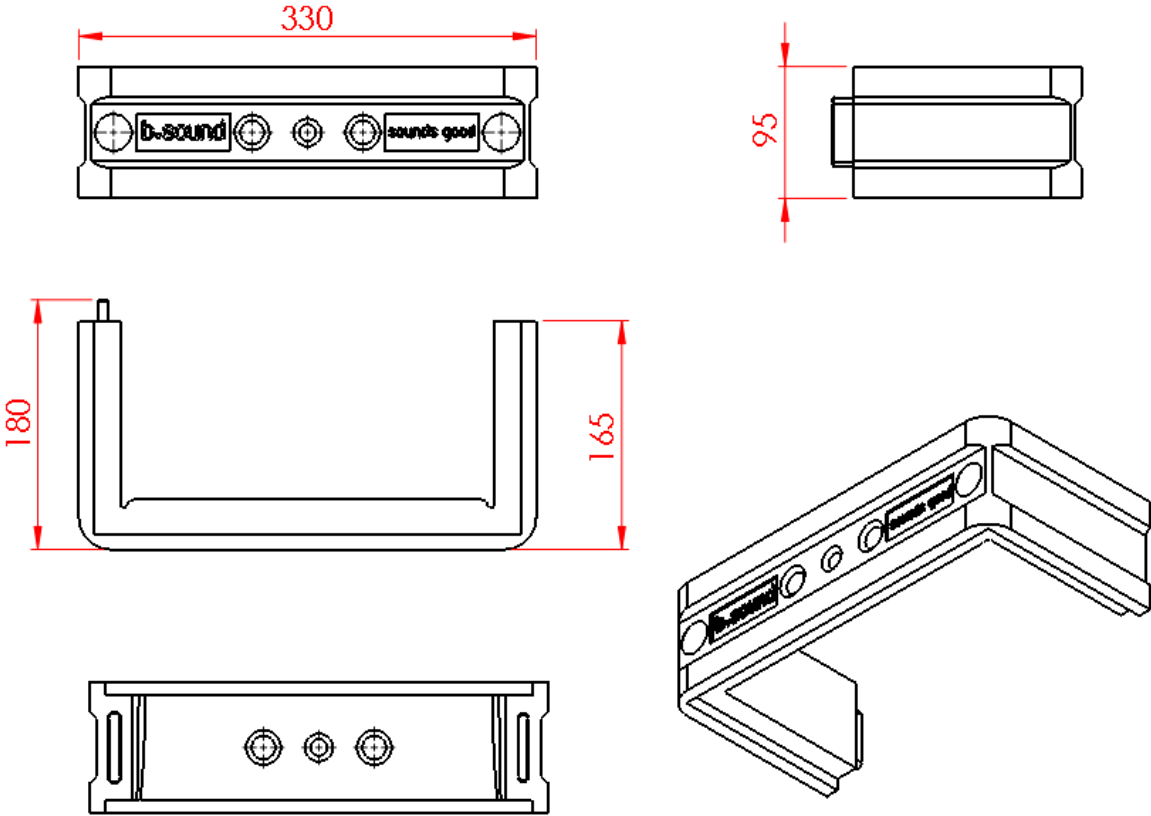


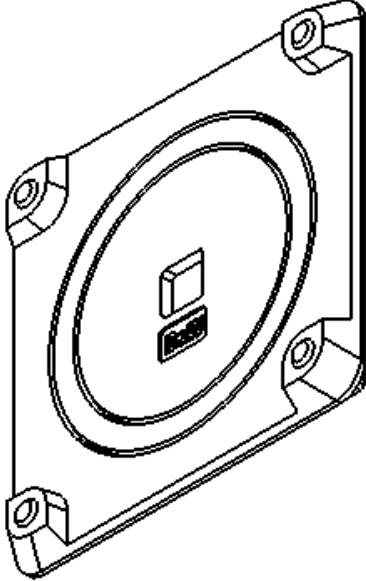
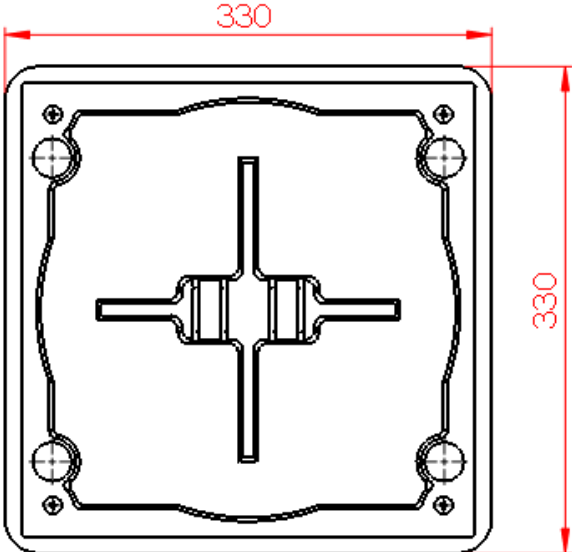
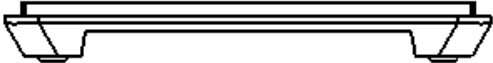
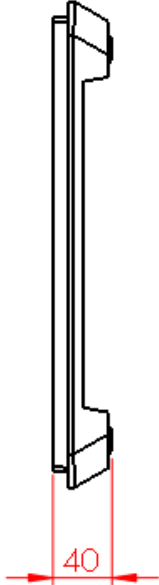
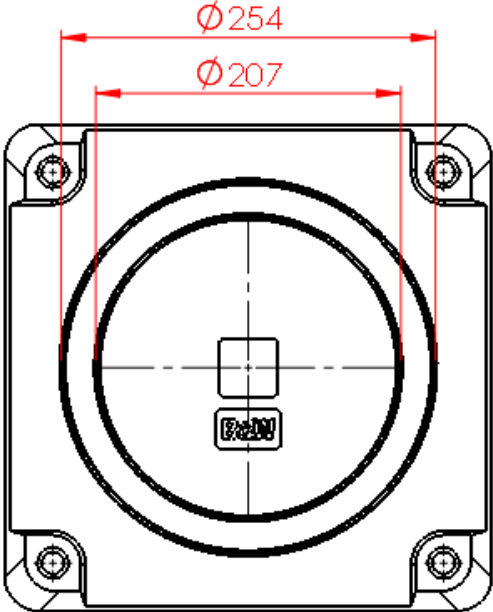
Box\_330x330x95mm

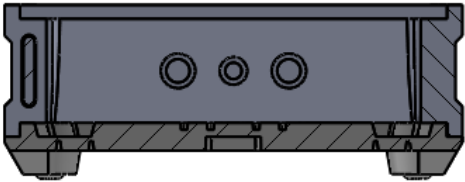
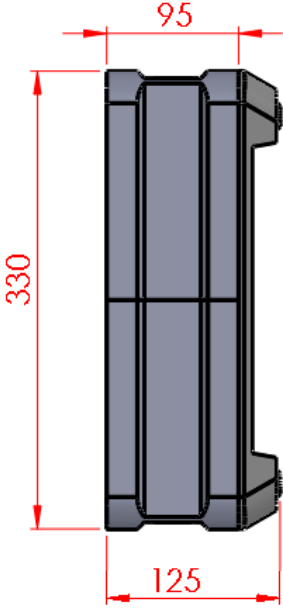
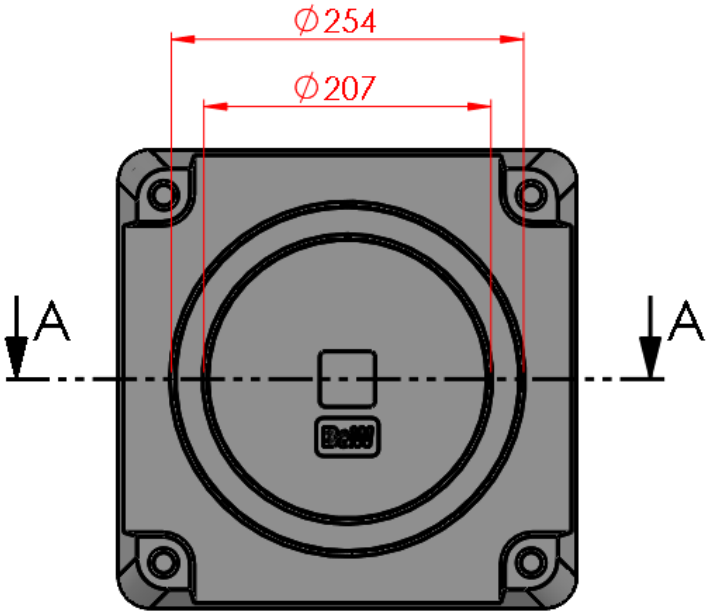


Adapter\_B&W

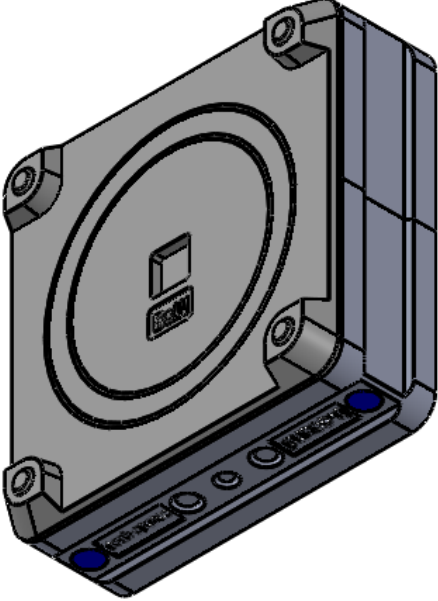
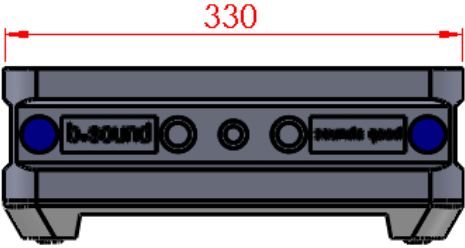




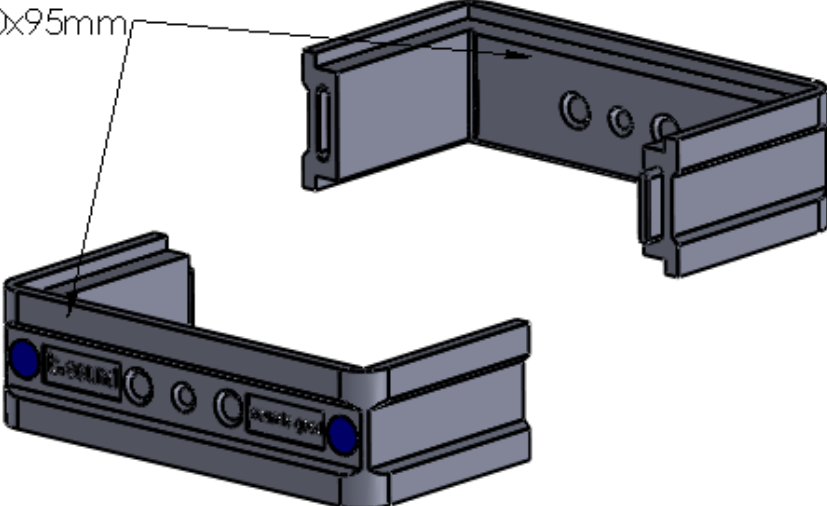




SCHNITT A-A



Box\_330x330x95mm



Adapter\_B&W



