



McIntosh Laboratory, Inc. 2 Chambers Street Binghamton, New York 13903-2699 Phone: 607-723-3512 www.mcintoshlabs.com

AS901/AS125

Amplifier Stands
Owner's Manual





Thank you from all of us at McIntosh

With the AS901/AS125 Amplifier Stand, you have invested in a premium accessory that will provide you with many years of enjoyment. Please take a few moments to familiarize yourself with the features and instructions to get the most from your equipment.

If you need further technical assistance, please contact your dealer who may be more familiar with your particular setup including other brands. You can also contact McIntosh with additional questions or in the unlikely event of needing service.

McIntosh Laboratory, Inc.

2 Chambers Street
Binghamton, New York 13903

Technical Assistance: (607) 723-3512

Customer Service: (607) 723-3515

Fax: (607) 724-0549

Email: support@mcintoshlabs.com

Website: mcintoshlabs.com

Make a Note

For future reference, you can jot down your serial number and purchase information here. We can identify your purchase from this information if the occasion should arise.

Serial Number:	
Purchase Date:	
Dealer Name	

Table of Contents

Introduction.....	3
AS901 Dimensions.....	4
AS125 Dimensions.....	5
Power Control	6
AS901 Specifications	6
AS125 Specifications	6
Packing Your Amplifier Stands.....	7

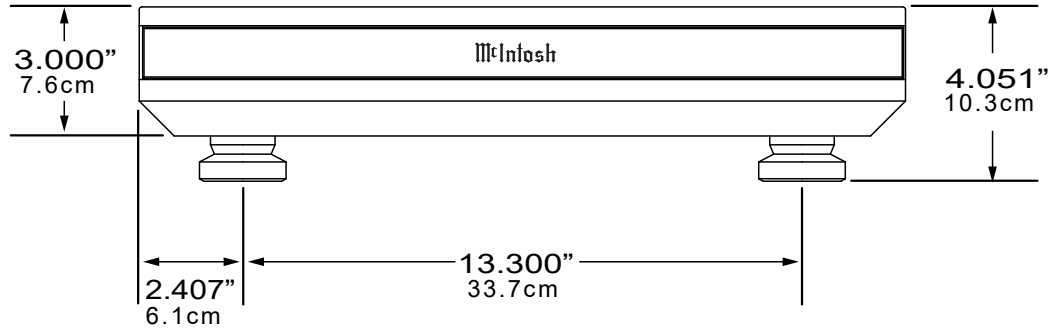
Introduction

The AS901 and AS125 Premium Amplifier Stands were designed from the ground up to be worthy of housing your high-end, premier McIntosh Power Amplifiers. These Amplifier Stands -- with their beautiful grain structures, sleek black finishes, and acrylic face plates with backlit McIntosh logos -- will not only visually complement your audio equipment, but paired with McIntosh Power Amplifiers such as the MC901 or MC1.25KW, they will provide you with a viewing experience that lives up to the high expectations you have for your McIntosh listening experience. The AS901 and AS125 Amplifier Stands were built from the strongest, finest Solid Ash Wood, so you can rest assured that you can enjoy this visual and audio splendor for years and years to come.

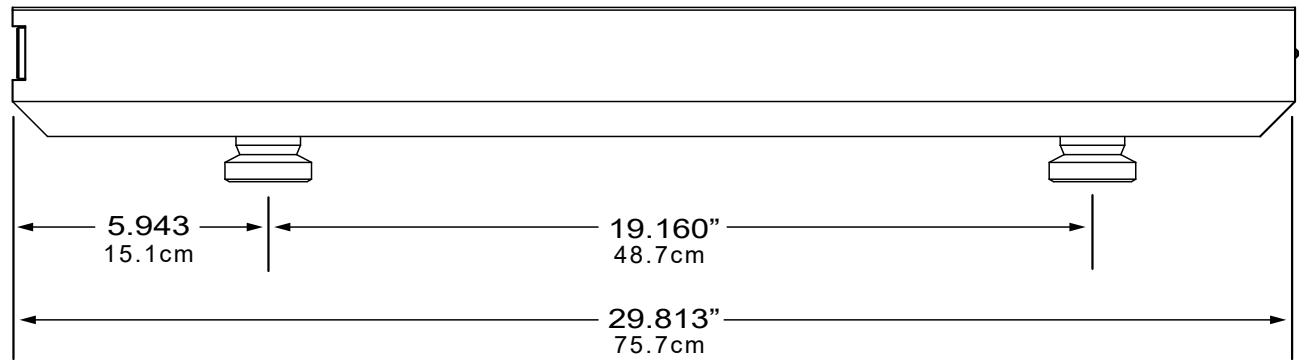


AS901 Dimensions

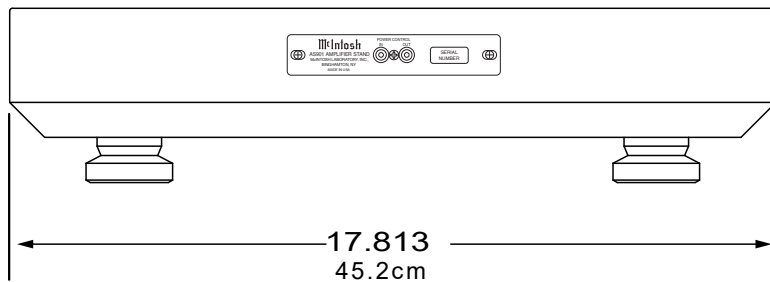
Front View



Side View

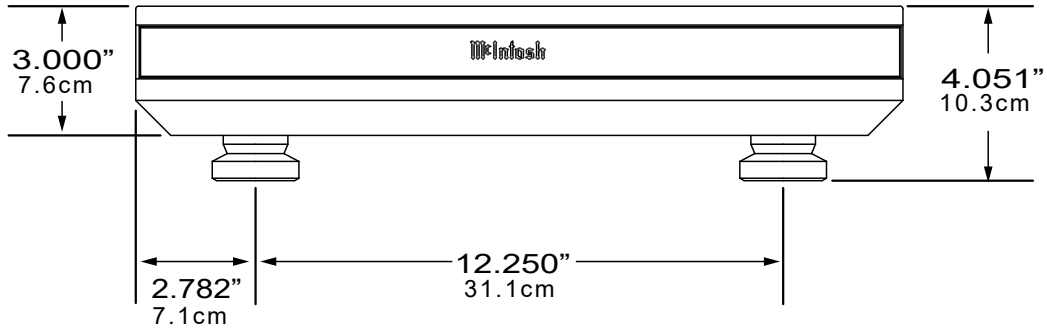


Rear View

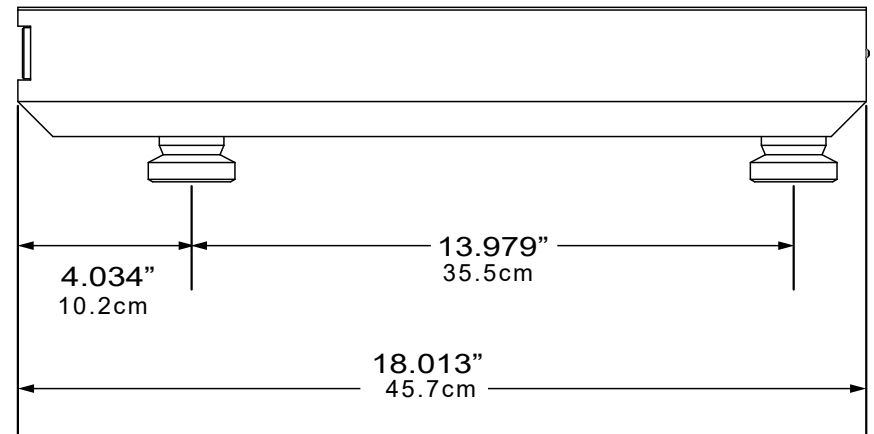


AS125 Dimensions

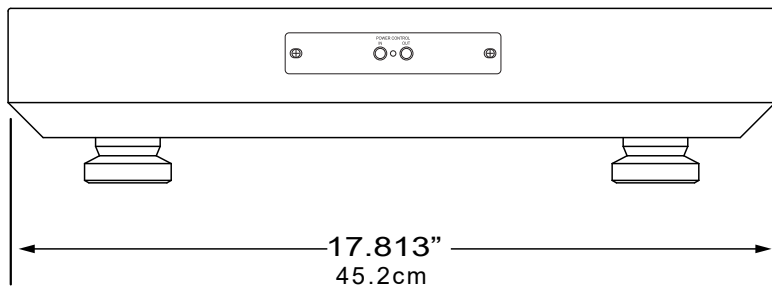
Front View



Side View



Rear View





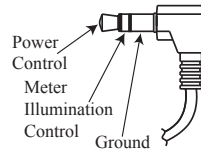
Power Control (Logo Backlight)

Note: Your Amplifier Stand logo backlight can illuminate when your audio equipment powers on. To do this, connect a cable to the Power Control port in the rear of the stand using the cable and connector described here.

Power Control and Trigger Connectors

The Power Control Trigger Output Jacks send and receive Power On/Off Signals (+12 volt/0 volt) when connected to other McIntosh Components. An additional connection is for controlling the illumination of the Power Output Meters on McIntosh Power Amplifiers. A 3.5mm stereo mini phone plug is used for connection to the Power Control, Trigger and Passthru Outputs.

Main, Trig 1&2 and Pass-Thru



AS901 Specifications

Stand Material

Ash Wood

Overall Dimensions

Width is 17.813 inches (45.2cm)

Height is 4.051 inches (10.3cm)

Depth is 29.813 inches (75.7cm)

Weight

41.6 pounds (18.9Kg) net, 51.1 pounds (23.2Kg) in shipping carton

Shipping Carton Dimensions

Width is 23.812 inches (60.5cm)

Depth is 38.312 inches (97.3cm)

Height is 9.5 inches (24.1cm)

AS125 Specifications

Stand Material

Ash Wood

Overall Dimensions

Width is 17.813 inches (45.2cm)

Height is 4.051 inches (10.3cm)

Depth is 18.013 inches (45.7cm)

Weight

27.1 pounds (12.3Kg) net, 35.1 pounds (15.9Kg) in shipping carton

Shipping Carton Dimensions

Width is 23.812 inches (60.5cm)

Depth is 28.188 inches (71.6cm)

Height is 9.5 inches (24.1cm)

Packing Your Amplifier Stands

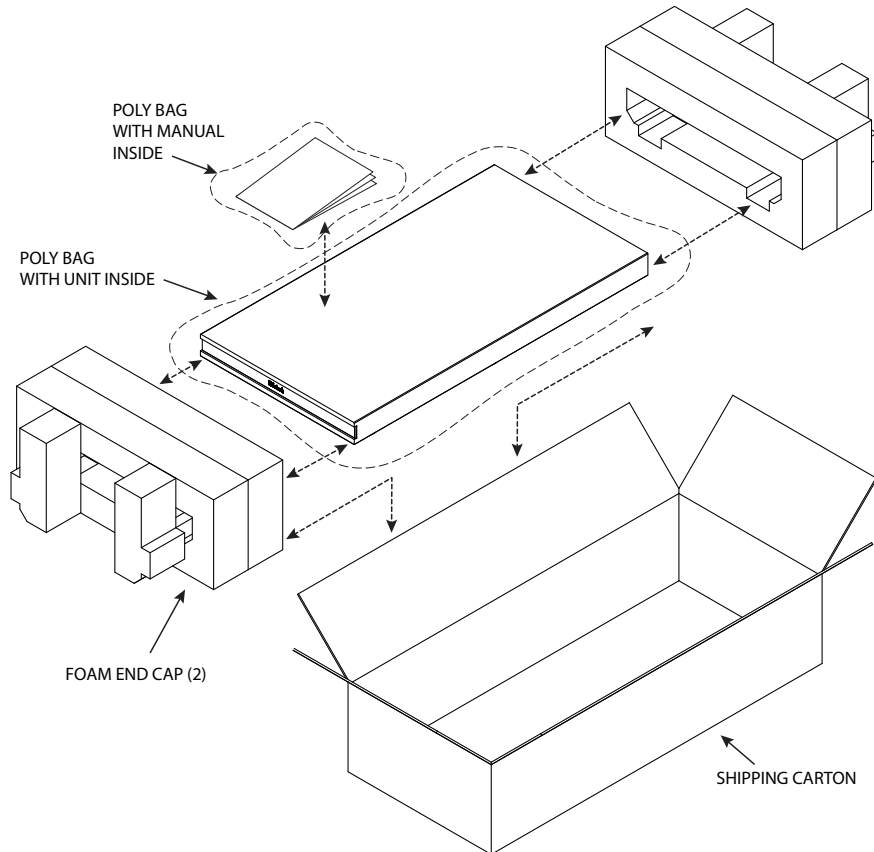
In the event it is necessary to repack the equipment for shipment, the equipment must be packed exactly as shown. Failure to do so will result in shipping damage. Use the original shipping carton and interior parts only if they are all in good, serviceable condition. If a shipping carton or any of the interior part(s) are needed, please call or write to the Customer Service Department of McIntosh Laboratories. Please see the Part List for the correct part numbers.

Part List

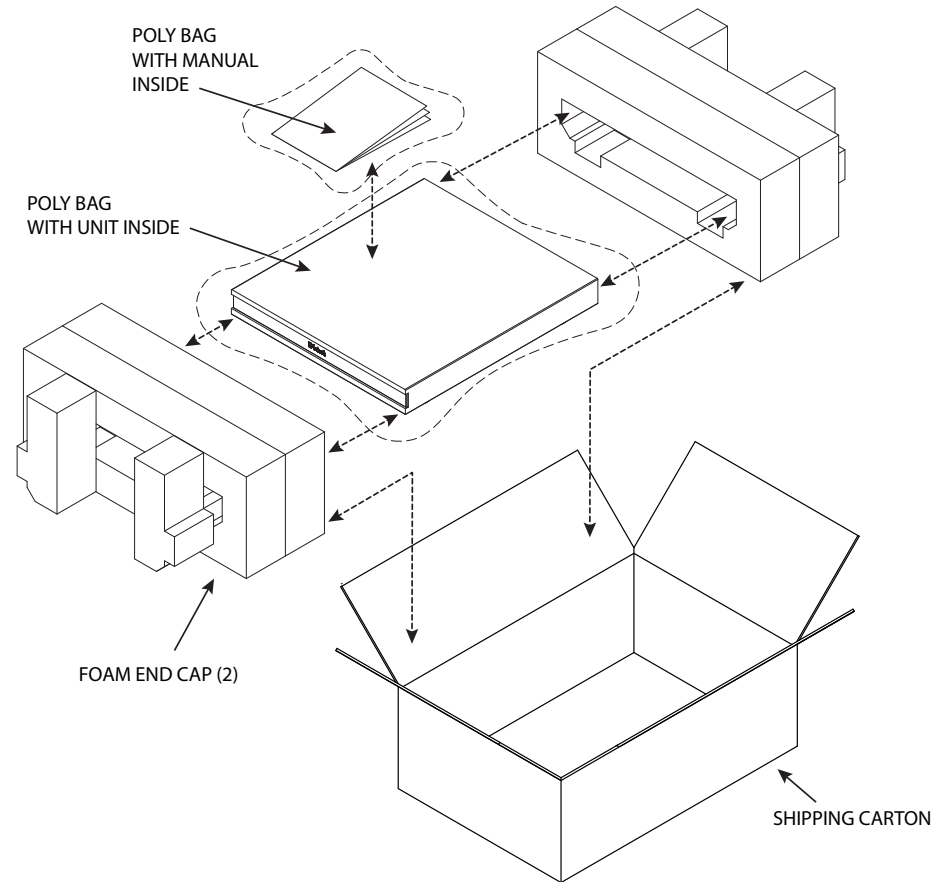
Quantity	Part Number	Description
1	033739	Poly Bag 20" W X 10" D X 36" L
2	034673	Foam End Cap
1	752682	Manual/Assembly Pack
1	034674	Shipping Carton (AS901)*
1	034672	Shipping Carton (AS125)*

**Note: Your amplifier stand contents will include only one shipping carton for your corresponding model number (AS901 or AS125).*

AS901



AS125





McIntosh Laboratory, Inc.
2 Chambers Street
Binghamton, NY 13903
www.mcintoshlabs.com

The continuous improvement of its products is the policy of McIntosh Laboratory Incorporated who reserve the right to improve design without notice.
Printed in the U.S.A.