

FAMILY FEELING :

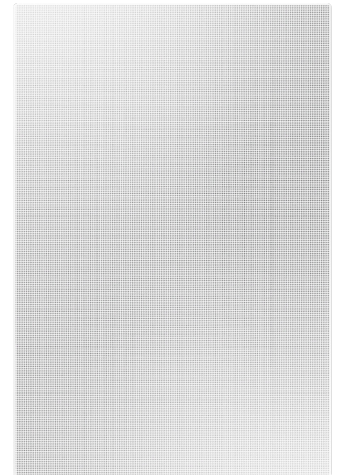
The PW-562 directly refers to the Sonetto Collection for the choice of materials, the electroacoustic project and design. The satin aluminum trims that frame the tweeter and the mid-woofer recall the aesthetic of the "Voice of Sonus faber".

MAGNETIC GRILLES :

The PW-562 is equipped with a magnetic edgeless square metal grille, ready to be painted.

QUICK INSTALLATION :

Thanks to the swing out dogs fixing system, all Palladio speakers can be secured quickly and effectively to plasterboard



MAGNETIC SQUARE METAL GRILLE



TWEETER :

DAD™ (Damped Apex Dome) silk dome tweeter.

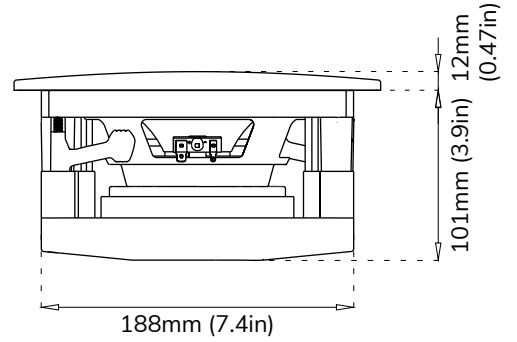
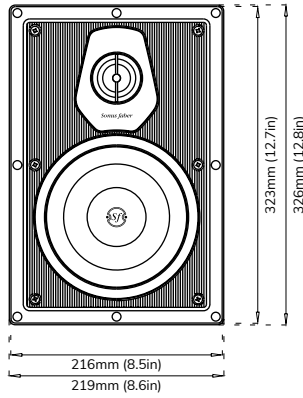
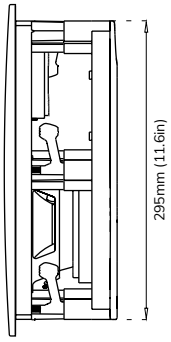
MID-WOOFER :

The custom diaphragm is made in natural fiber and cellulose pulp, according to the most natural sound.

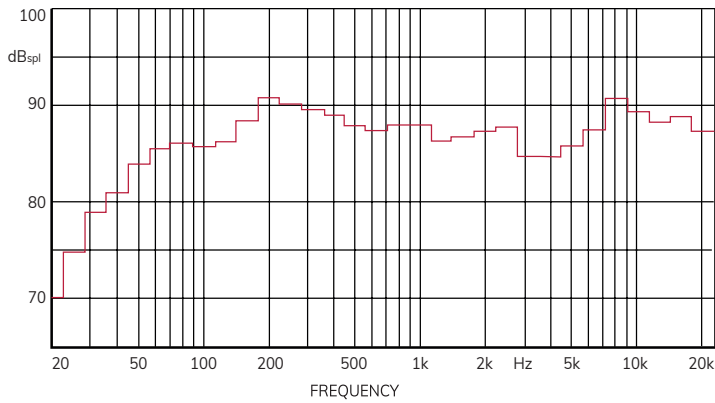
PARACROSS TOPOLOGY™

The anti-resonant design of the x-over network features the Paracross Topology™ circuitry, to guarantee a better definition and purity of sound.

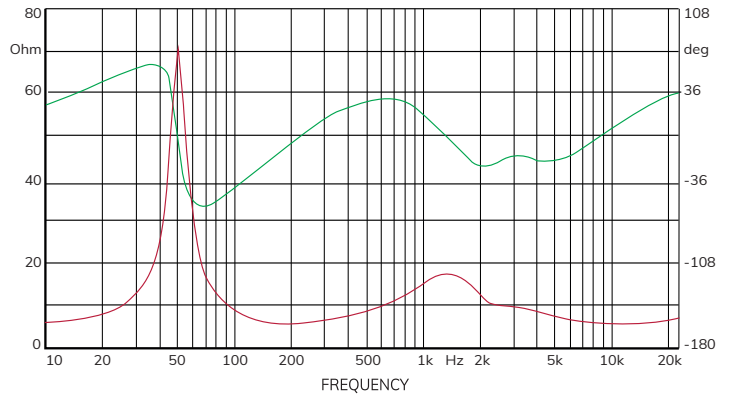
LOUDSPEAKER SYSTEM	Two-way In-wall system. Infinite baffle
TWEETER - DAD™ DRIVER	29 mm / 1.1 in
MIDWOOFER	165 mm/ 6.5 in
CROSSOVER FREQUENCY - PARACROSS TOPOLOGY™	3,000 Hz
FREQUENCY RESPONSE	50 - 25,000 Hz
SENSITIVITY (2.83 Vrms @ 1m)	88 dB SPL
NOMINAL IMPEDANCE	4 Ω
COVERAGE ANGLE (1 kHz, @-6 dB)	± 60° H - ± 60° V
SUGGESTED AMPLIFIER POWER OUTPUT	40 – 200W without clipping
LONG-TERM MAX INPUT VOLTAGE (IEC 60268-5)	20 Vrms
FRAME OUTER	216 x 323 mm / 8.5 x 12.7 in
CUT OUT	192 x 299 mm / 7.6 x 11.8 in
DEPTH BEHIND SURFACE	101 mm / 3.4 in
PROTRUSION	12 mm / 0.47 in
NET WEIGHT	3.7 Kg / 8.2 lb
• INCLUDED IN THE BOX	Bezel-Free square magnetic grille
• ADDITIONAL FITTINGS	Pre-mount kit



THIRD OCTAVE AXIAL RESPONSE @1m



IMPEDANCE [MODULE AND PHASE]



AMPLIFIER OUTPUT POWER REQUIREMENTS VS. LISTENING DISTANCE (PER SINGLE CHANNEL) *

	LISTENING DISTANCE [m]						
	1.50	1.75	2.00	2.50	3.00	3.50	4.00
W CONTINUOUS (RMS)	2.3	3.1	4	6.3	9	12	16
W PEAK	4.5	6.1	8	12.5	18	25	32

* [FOR A DIRECT SPL=85 dB; 1 kHz SINE TONE]

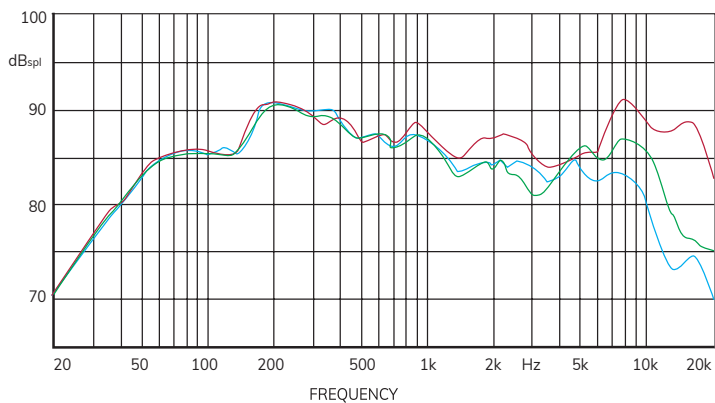
	LISTENING DISTANCE [m]						
	1.50	1.75	2.00	2.50	3.00	3.50	4.00
W CONTINUOUS (RMS)	18	25	30	50	70	100	130
W PEAK	72	100	130	200	290	390	510

* [FOR A DIRECT SPL=85 dB; IEC TEST SIGNAL SIMULATING A NORMAL PROGRAM]

The huge difference between the values depends on the signals that have been considered in the two examples. A simple sine tone is the most elementary one while the IEC signal is quite complex. In a real world, while the first could conveniently represent the power needs for speech, the second gives an idea of the power needs for wide frequency range, large headroom music.

HORIZONTAL DISPERSION [@1m WITH 2.83 VRMS]

--- 45° ; --- 30° ; --- 0°



VERTICAL DISPERSION [@1m WITH 2.83 VRMS]

--- 45° ; --- 30° ; --- 0°

