

MAIN FEATURES

- FAMILY FEELING :**

The PC-563 P directly refers to the Sonetto Collection for the choice of materials, the electroacoustic project and design. Tweeter and mid-woofers are enriched with satin aluminum trims.

- SOUND POINTING :**

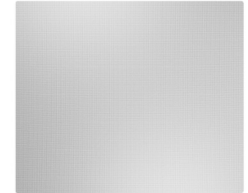
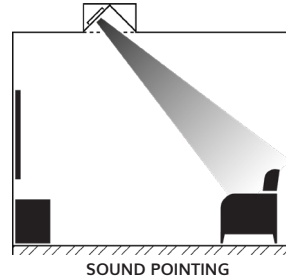
Whenever front speakers cannot be placed on walls, this model is made to be mounted in the ceiling. By positioning drivers to be angled to the surface, the sound emission aims to the direction of the listening position.

- MAGNETIC GRILLES :**

The PC-563 P is equipped with a magnetic edgeless square metal grille, ready to be painted.

- QUICK INSTALLATION :**

Thanks to the swing out dogs fixing system, all Palladio speakers can be secured quickly and effectively to plasterboard.



MAGNETIC SQUARE
METAL GRILLE

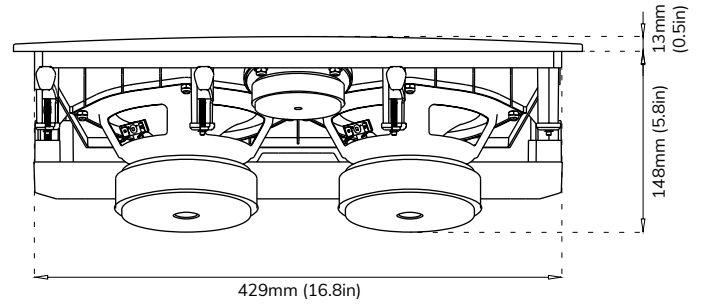
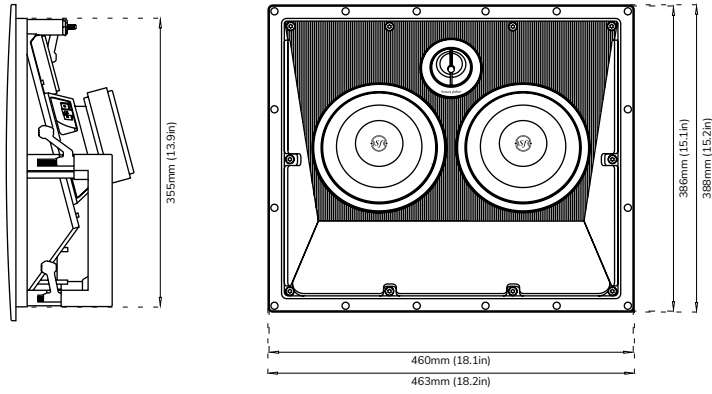
TWEETER :
DAD™ (Damped Apex Dome) silk dome tweeter.

MID-WOOFER :
The custom diaphragm is made in natural fiber and cellulose pulp, according to the most natural sound.

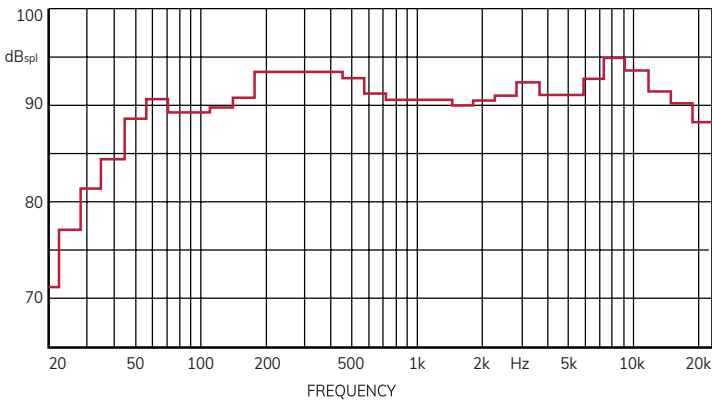


PARACROSS TOPOLOGY™
The anti-resonant design of the x-over network features the Paracross Topology™ circuitry, to guarantee a better definition and purity of sound.

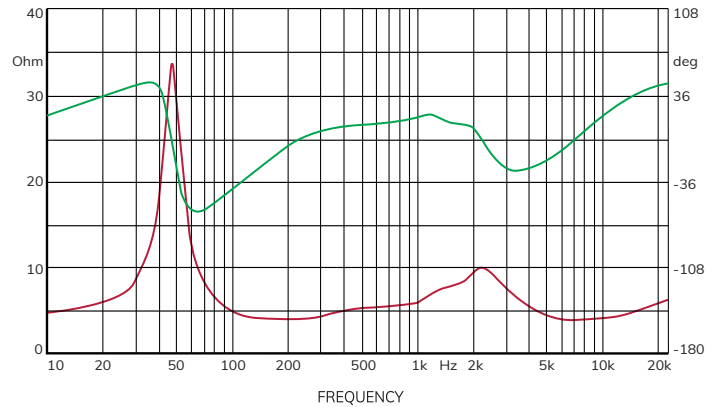
LOUDSPEAKER SYSTEM	Two-way point In-ceiling system. Infinite baffle
TWEETER - DAD™ DRIVER	29 mm / 1.1 in
MIDWOOFER	2 x 165 mm / 2 x 6.5 in
CROSSOVER FREQUENCY - PARACROSS TOPOLOGY™	1,650 Hz
FREQUENCY RESPONSE	45 - 25,000 Hz
SENSITIVITY (2.83 Vrms @ 1m)	92 dB _{SPL}
NOMINAL IMPEDANCE	4 Ω
COVERAGE ANGLE (1 kHz, @-6 dB)	± 45° H - ± 45° V
SUGGESTED AMPLIFIER POWER OUTPUT	40 – 250W without clipping
LONG-TERM MAX INPUT VOLTAGE (IEC 60268-5)	20 Vrms
FRAME OUTER	460 x 386 mm / 18.1 x 15.1 in
CUT OUT	433 x 359 mm / 17 x 14.1 in
DEPTH BEHIND SURFACE	148 mm / 5.82 in
PROTRUSION	13 mm / 0.51 in
NET WEIGHT	6.5 Kg / 14.3 lb
INCLUDED IN THE BOX	Bezel-Free square magnetic grille
ADDITIONAL FITTINGS	Pre-mount kit



THIRD OCTAVE AXIAL RESPONSE @1m



IMPEDANCE [MODULE AND PHASE]



AMPLIFIER OUTPUT POWER REQUIREMENTS VS. LISTENING DISTANCE (PER SINGLE CHANNEL) *

	LISTENING DISTANCE [m]						
	1.50	1.75	2.00	2.50	3.00	3.50	4.00
W CONTINUOUS (RMS)	0.9	1.2	1.6	2.5	3.6	4.9	6.4
W PEAK	1.8	2.4	3.2	5.0	7.2	9.8	12.8

*** [FOR A DIRECT SPL=85 dB; 1 kHz SINE TONE]**

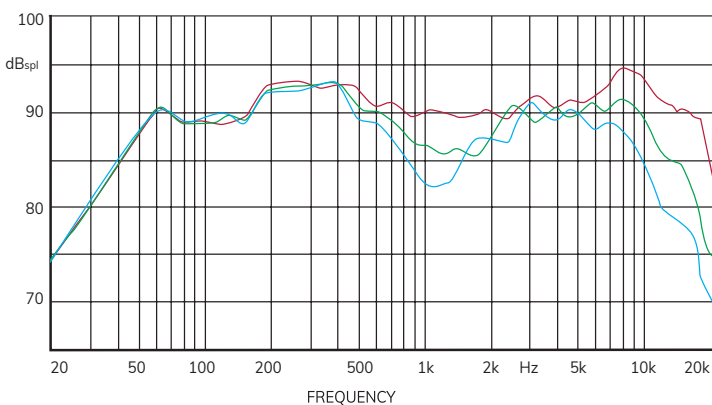
	LISTENING DISTANCE [m]						
	1.50	1.75	2.00	2.50	3.00	3.50	4.00
W CONTINUOUS (RMS)	7	10	13	20	30	40	50
W PEAK	30	40	50	80	120	160	200

*** [FOR A DIRECT SPL=85 dB; IEC TEST SIGNAL SIMULATING A NORMAL PROGRAM]**

The huge difference between the values depends on the signals that have been considered in the two examples. A simple sine tone is the most elementary one while the IEC signal is quite complex. In a real world, while the first could conveniently represent the power needs for speech, the second gives an idea of the power needs for wide frequency range, large headroom music.

HORIZONTAL DISPERSION [@1m WITH 2.83 VRMS]

--- 45° ; --- 30° ; --- 0°



VERTICAL DISPERSION [@1m WITH 2.83 VRMS]

--- 45° ; --- 30° ; --- 0°

