

THE NEW CONCORDE GENERATION



CONCORDE MKII UNIVERSAL



ortofon anniversary

WORLD LEADER IN THE CARTRIDGE INDUSTRY



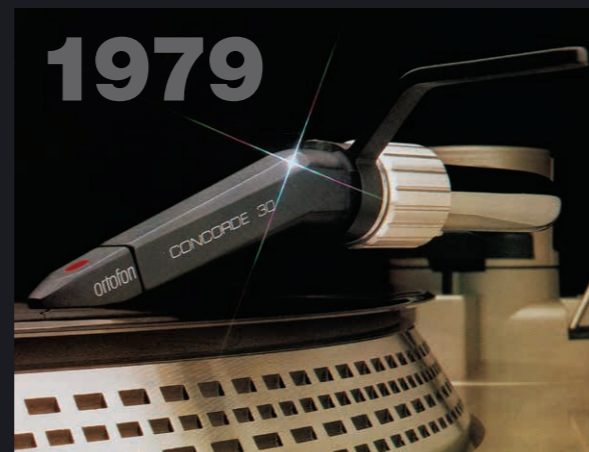
IN THE BEGINNING WAS THE SOUND TRACK

Ortofon has always been a leading company in the field of sound reproduction. Founded in Copenhagen in 1918, Ortofon started by creating technology which served as the basis for adding a soundtrack to the silent movies of the early

1920s. In 1948, the company developed the first moving coil cartridge, and since then Ortofon has developed and manufactured more than 300 different cartridges with Ortofon's latest being the Concorde MkII Universal Series.

THE FAMOUS CONCORDE DESIGN

In 1979 the famous Concorde design was introduced, earning the company a Danish Industrial Design Award for its Low Mass Concorde integrated cartridge/headshell configuration. The elegant slimline Concorde design allowed direct connection into any tonearm with a standard bayonet mount and incorporated overhang and vertical adjustment facilities. The new Concorde made it easier to mount and replace the cartridge on the tonearm.



DJ CARTRIDGES FOR CLUB, HIP-HOP AND SCRATCH APPLICATIONS

In the mid of 1980's Ortofon began to develop and manufacture DJ cartridges for Club, Hip-hop and Scratch application. The silver colored Concorde Pro and OM Pro, which combined sound quality with the ruggedness for the professional DJs, were introduced in 1984.

The new Pro models were given special features that enabled them to cope with the stresses they were exposed to in vibrating discotheques: among others, a stiff stylus suspension which made it possible to apply a high tracking force.

ORTOFON TODAY

Today Ortofon is the world leader in cartridges, both HiFi and DJ. This is the result of combining design with technology and the highest level of engineering in the audio industry. Acoustics, materials technology and micro mechanics are key competences in Ortofon's technological prowess. Ortofon has its research and manufacturing

facilities in Denmark. The production of cartridges and components is carried out at the company's factory in Nakskov, Denmark. Production is based on experienced workers with a high level of craftsmanship. Ortofon is today recognized among consumers and industry professionals as a quality brand.

THE CONCEPT OF ANALOGUE

The Ortofon cartridges are of analogue concept, dedicated to people who enjoy listening to music. Contrary to digital, analogue sound is unlimited. No finite sampling frequency or resolution limits the sonic experience. When digital is a convenient format for storing large volumes, the details are lost and can never be recovered. Only analogue records allow you to enjoy original music as the artists intended.

With 100 years of experience, Ortofon is proud to presents a full range of the new Concorde Universal MkII cartridges which offers an unprecedented level of sound reproduction. An Ortofon cartridge is able to bring out the true soul of analogue recording. To help you appreciate the importance of the cartridge to any music system, we need to tell you a little more about how music is picked up from the groove.

THE MAIN COMPONENTS OF THE CARTRIDGE

A cartridge consists of three basic components: the stylus that traces the record groove, the cantilever, the part on which the stylus is mounted, and the generating system. The generating system converts the motion of stylus and the cantilever into electrical replicas of the sound, which can then be amplified and reproduced by the music system.

1 THE STYLUS

The stylus is the only part of the cartridge to make contact with the record. A force must be exerted by the tonearm to keep the stylus in the groove while the record is spinning. This tracking force is low, usually between three and four grams. But because the stylus has a “footprint” of less than one millionth of a square inch of the record face, it exerts a tremendous pressure: 6,000 pounds per square inch. At such enormous pressure, any

roughness or irregularity in the stylus would cause record damage. The stylus must also be very hard or it will wear out quickly. For these reasons, quality styli are precision made from the finest and hardest material known: pure diamond. Spherical stylus is for heavy back-cueing and scratching. Stays in the groove. Special Elliptical stylus is for lighter back-cueing and scratching. Best sound performance.

2 THE CANTILEVER

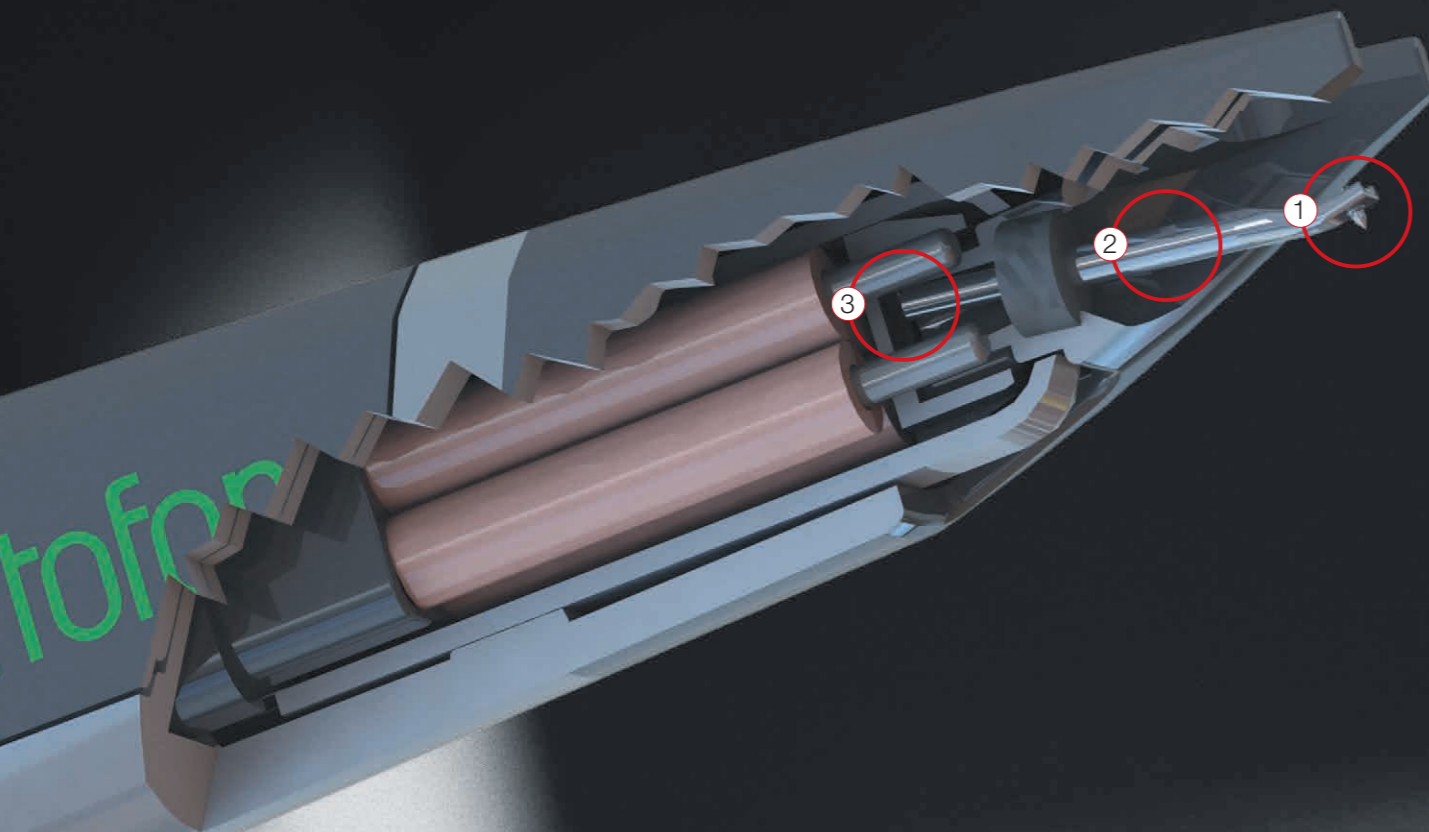
The purpose of the cantilever is to act as an intermediate between the stylus and the generating system. Compared to its size the stylus moves at tremendous speed while tracking the groove of the spinning record. In order that the cantilever may accurately transmit the rapid stylus movements, it should be lightweight so it can

respond without inertia to the twists and turns of the groove. At the same time the cantilever should be rigid, because any bending, flexing or vibration would add distortion and sound coloration. The necessary compromise between lightweight and high strength requires great ingenuity in the design as well as the choice of the materials.

3 THE GENERATING SYSTEM

High fidelity Ortofon cartridges follow the law of electromagnetism, discovered by the Danish scientist H.C.Oested. When material capable of conducting electricity (a copper coil) is set into motion perpendicular to a magnetic field - or when a magnet is moved near such conductive material

- electrical current is generated in the circuit. The direction and speed of the movement determine the amplitude and frequency of the current. Thus the generating system of a cartridge converts to movement of the stylus and cantilever into an output signal.



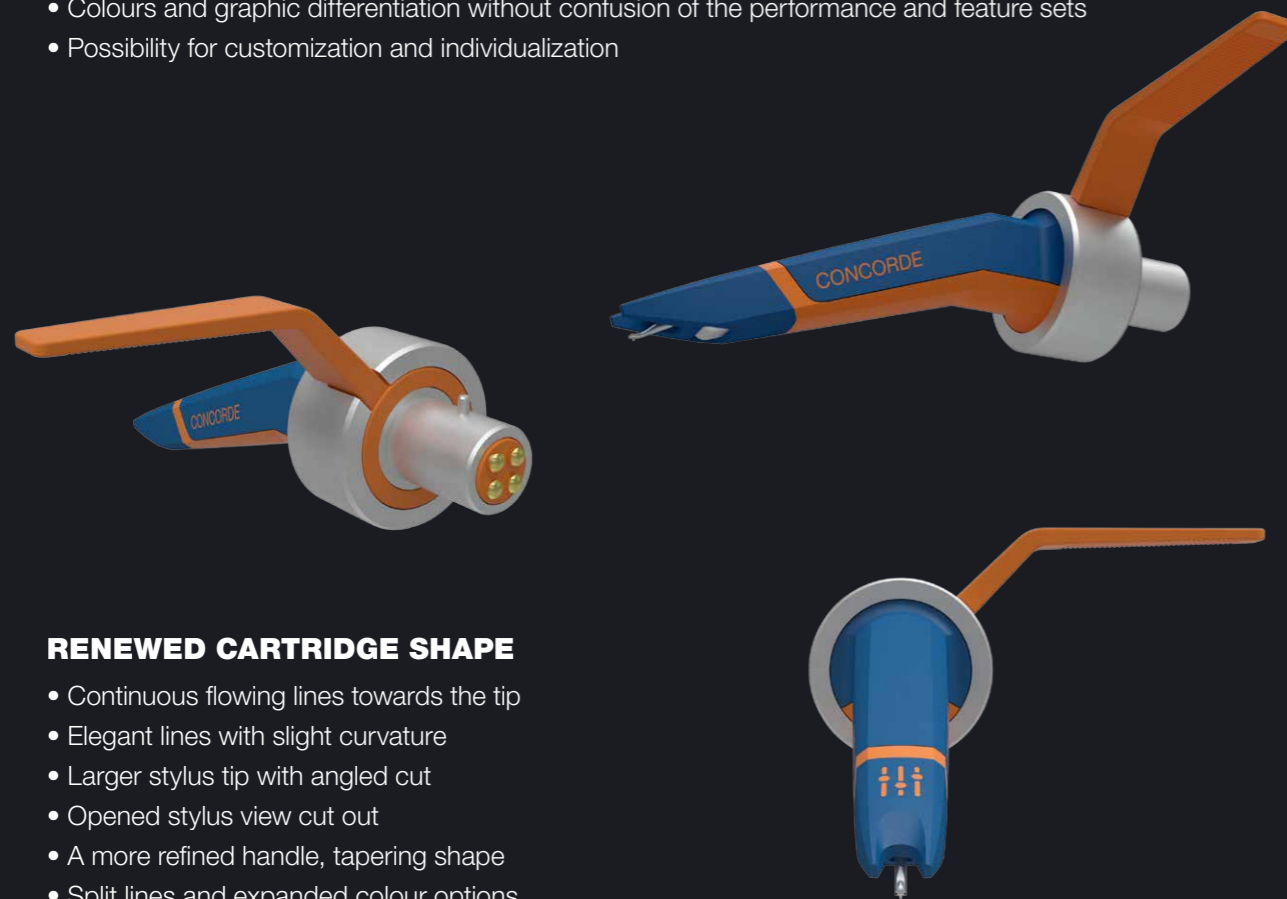
THE NEW TECHNOLOGY APPLIED FOR THE BENEFIT OF USERS

Since the launch of the Concorde, we have constantly been listening to the feedback of our customers to continuously improve our processes and products. Reflecting our extensive experience in industrial design and technological know-how, today, the time has come to present you the new awesome Concorde MkII.

- Technological improvements have led to the best possible performance data
- We believe that the Concorde MkII clear product range makes choice easier for you

EXTRA ASSETS

- Colours and graphic differentiation without confusion of the performance and feature sets
- Possibility for customization and individualization



RENEWED CARTRIDGE SHAPE

- Continuous flowing lines towards the tip
- Elegant lines with slight curvature
- Larger stylus tip with angled cut
- Opened stylus view cut out
- A more refined handle, tapering shape
- Split lines and expanded colour options



EXCHANGEABLE FINGER LIFT

- Tapered shape allows robustness where needed
- Metal ring is "unbroken"
- Optional colours
- Wider grip area
- Grip texture
- Graphics area

The new finger lift is another major improvement. It's now stand alone replaceable and interchangeable part, which is perfect to personalize the cartridge the way you want it.



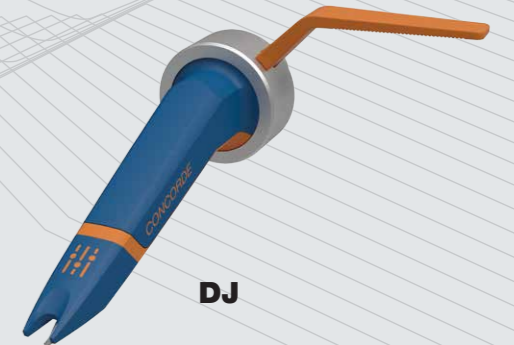
NEW STYLUS TIP

- Larger and more robust
- Easier to grip and handle
- Better fix by metal spring
- Tactile feedback of correct mount
- Large stylus viewing cut out

The new shape of the stylus allows you to accurately drop the needle on a specific part of a record. The point of contact between the needle and record is very clear from any angle. The body is wider and provides easier grip and handling.



MIX



DJ



CLUB



SCRATCH



DIGITAL

CONCORDE MIX

CAUSE
I CAN DO IT
IN THE
MIX



A GROOVY ALL-ROUNDER FOR NEWCOMERS. PROVIDES REASONABLE OUTPUT AND BALANCE OF SOUND QUALITY WITH TRACKING ABILITY.

The MIX is a general-purpose model for scratch and back-cueing, provides great performance and durability. It has a good quality spherical stylus, a solid cantilever, and serves general purposes well. It offers both reasonable output, high sound

quality and a good tracking ability for virtually any style of music. With transparent sound across the spectrum and excellent handling ability, the MIX represents one of the longest running values in DJ cartridges. Excellent price-to-performance ratio.



OUTPUT
6 mV



FREQUENCY RANGE
20 – 20,000 Hz



TRACKING FORCE
3 g



STYLUS TYPE
Spherical

THE MIX IS AVAILABLE IN FOLLOWING CONFIGURATIONS

- Concorde Twin
- Concorde Single
- Replacement stylus
- Replacement finger lift



MIX

CONCORDE DJ

A STURDY MODEL FOR SCRATCH AND BACKCUEING, PROVIDES RIGIDITY, EXCELLENT GROOVE HANDLING AND LOW RECORD WEAR

The DJ is great for any style of music, it has a spherical stylus and an extremely balanced cantilever that provides outstanding rigidity. Not only does the cartridge have a most sufficient tracking ability, it also provides the DJs with the

most needed stringency and very low record wear. All in all: improved tracking, alongside of accurate sound reproduction and an excellent groove handling.



OUTPUT
6 mV



FREQUENCY RANGE
20 – 20,000 Hz



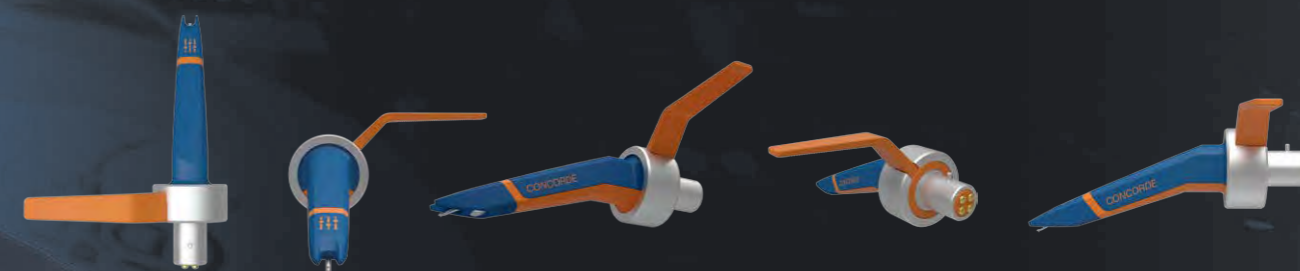
TRACKING FORCE
4 g



STYLUS TYPE
Spherical

DJ IS AVAILABLE IN FOLLOWING CONFIGURATIONS

- Concorde Twin
- Concorde Single
- Replacement stylus
- Replacement finger lift



CONCORDE CLUB

CONCORDE CLUB ENSURES THE BEST POSSIBLE SOUND QUALITY, INCREASED OUTPUT VOLTAGE FOR POWERFUL, ENERGETIC SOUND

The CLUB boasts the best specifications and best sound, making it an ideal choice for Club DJs in any environment: studio, broadcast or club.

The CLUB features Special Elliptic stylus that allows for detailed sound quality: Special Elliptic stylus fits better in the groove and therefore has more contact area with the groove itself, extracting more intricate details, than is possible with a Spherical diamond.

The CLUB's 8 mV output voltage requires less gain from the preamps, providing cleaner sound reproduction and less susceptibility to feedback in live environments.

The CLUB is also recommended for digitalizing purpose: it provides optimal quality and extracts every last detail from vinyl when transferring vinyl to any digital storage media.



**SMASH
THE CLUB**



OUTPUT
8 mV



FREQUENCY RANGE
20 – 20,000 Hz



TRACKING FORCE
3 g



STYLUS TYPE
Special Elliptical

THE CLUB IS AVAILABLE IN FOLLOWING CONFIGURATIONS

- Concorde Twin
- Concorde Single
- Replacement stylus
- Replacement finger lift



CONCORDE **SCRATCH**



WHAT IS A DJ
IF HE CAN'T
SCRATCH!

CONCORDE SCRATCH FOR MAXIMUM SCRATCH PERFORMANCE. OFFERS HIGH OUTPUT, STABILITY AND INCREASED TRACKING

As implied by the name, the SCRATCH is intended especially for the disciplines of scratch and back-cueing. DJs prefer spherical styli, as they preserve more of the groove over back-cueing and scratching. For DJs that require increased tracking ability, the SCRATCH is up to the task. The Scratch has a supreme ability to trace the grooves of the

records and it is tailored specifically for scratch. Due to its very high output 10 mV, it is perfect for scratch of all music with deep bass frequencies. With solid bass reproduction and extended highs, the SCRATCH is great for any style, providing energetic sound. Maximum scratch performance guaranteed!



OUTPUT
10 mV



FREQUENCY RANGE
20 – 18,000 Hz



TRACKING FORCE
4 g



STYLUS TYPE
Spherical

SCRATCH IS AVAILABLE IN FOLLOWING CONFIGURATIONS

- Concorde Twin
- Concorde Single
- Replacement stylus
- Replacement finger lift



SCRATCH

⚡ CONCORDE **DIGITAL**



VINYL IS THE NEW **DIGITAL**

CONCORDE DIGITAL PROVIDES INCREASED OUTPUT, OPTIMIZED FOR TIME CODED VINYL

DIGITAL has been specially engineered to make the most of timecoded vinyl playback. At the same time DIGITAL provides optimal output voltage and sound quality for use with conventional vinyl. This optimized 10 mV output voltage maximizes the signal-to-noise ratio of the audio being fed to the software, which results in better interpretation of

the timecode signal. Furthermore, a decrease in the reproduction of frequencies where vinyl wear & crackle occur helps to minimize errors in the interpretation of the timecode signal and helps timecoded vinyl records last longer.



OUTPUT
10 mV



FREQUENCY RANGE
20 – 18,000 Hz



TRACKING FORCE
4 g



STYLUS TYPE
Spherical

DIGITAL IS AVAILABLE IN FOLLOWING CONFIGURATIONS

- Concorde Twin
- Concorde Single
- Replacement stylus
- Replacement finger lift



DIGITAL

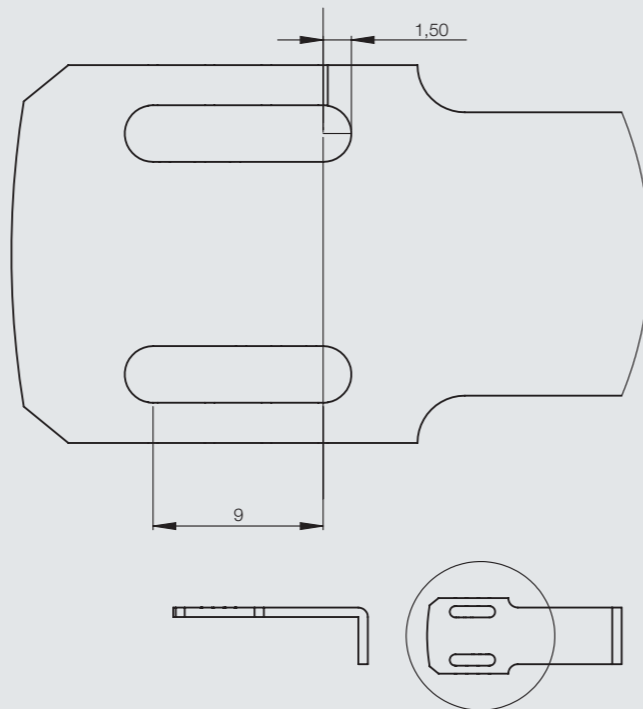
SH-4 HEADSHELLS

The SH-4 headshell is a high-quality, solid headshell option for DJs. The big finger grip and shorter construction makes movement and placement of the headshell easy and visible. The wire terminals on the rear side are also gold plated for better signal transmission.

The SH-4 is available in the black, silver, blue and pink finishes.

KEY FEATURES

- Weight: 9.4 g
- Shell length: 51.5 mm
- Finger length: 27 mm



ORTOFON DJ ACCESSORIES AND SPARES

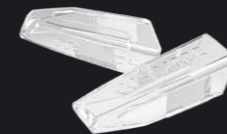
We offer a wide range of DJ accessories for stylus care, cartridges assembly and alignment and system maintenance.



Stylus brush



DJ maintenance kit



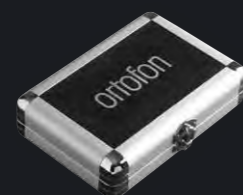
Protection caps for Concorde MkII, pair



Finger lift, available in Black, Red, Yellow, Orange



Lead wires/Headshell cables, set



Cartridge case



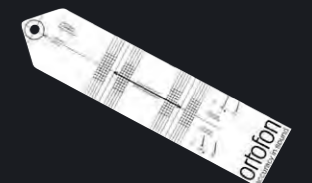
Stylus pressure gauge



Libelle



Bubble level



Protractor/Cartridge alignment tool

SLIPMATS

Our high quality slipmats are designed to be finest slipmats available on the market today. Made out of a smooth but strong material, our slipmats provide durability and will not scuff or damage vinyl.



MIX
(pair)



DJ
(pair)



CLUB
(pair)



SCRATCH
(pair)



DIGITAL
(pair)

T-SHIRTS

Our high quality T-shirts are 100% cotton and 100% stylish. They are available in different color combinations and different prints.



MIX



DJ



CLUB



SCRATCH



DIGITAL

SPECIFICATIONS



CONCORDE	MIX	DJ	CLUB	SCRATCH	DIGITAL
Output voltage at 1,000 Hz, 5 cm/sec.	6 mV	6 mV	8 mV	10 mV	10 mV
Channel balance at 1 kHz	1.5 dB	1 dB	1 dB	1 dB	1 dB
Channel separation 1 kHz	20 dB	22 dB	25 dB	22 dB	22 dB
Channel separation 15 kHz	15 dB	15 dB	15 dB	15 dB	15 dB
Frequency range at -3 dB	20 – 20,000 Hz	20 – 20,000 Hz	20 – 20,000 Hz	20 – 18,000 Hz	20 – 18,000 Hz
Tracking ability at 315 Hz at recommended tracking force	100 µm	100 µm	100 µm	120 µm	100 µm
Compliance, dynamic lateral	14 µm/mN	14 µm/mN	14 µm/mN	14 µm/mN	14 µm/mN
Stylus type	Spherical R 18 µm	Spherical R 18 µm	Special Elliptical r/R 13/25 µm	Spherical R 18 µm	Spherical R 18 µm
Tracking force range	2 – 4 g	3 – 5 g	2 – 4 g	3 – 5 g	3 – 5 g
Tracking force recommended	3 g	4 g	3 g	4 g	4 g
Cartridge weight	18.5 g	18.5 g	18.5 g	18.5 g	18.5 g
Replacement stylus unit	Mix	DJ	Club	Scratch	Digital



ORTOFON WARRANTY AND AFTERSALES

All new purchased Ortofon products are backed by a limited warranty against defects in workmanship and materials when purchased from an authorized Ortofon Partner. The warranty period is in compliance with local rules of the Ortofon Partner country of residence.

All defect claims must be returned directly to the Ortofon Partner in the country or geographical area in which it was originally purchased. The product in question must be accompanied by valid proof of purchase.

All DJ cartridges shall be returned in original packaging to comply with Ortofon traceability system. In case of defects, the Ortofon DJ Partner will make initial investigation of the product. If warranty is granted, a new product will be provided.



Get more information about Ortofon DJ cartridges



OUTPUT

Ortofon DJ cartridges have a high output voltage which ensures an extremely high signal-to noise ratio and full exploitation of the dynamic range of any amplifier. Ortofon Concorde MkII cartridges have outputs between 6 and 10 mV.



TRACKING FORCE

Each DJ cartridge has a special rubber suspension designed to create the best possible tracking ability. In order for the cartridge to track the record groove correctly and avoid skipping, it is important to balance the tracking force. Ortofon is recommending a tracking force range and a specific tracking force for each cartridge.



FREQUENCY RANGE

A measurement of the frequencies which can be reproduced by a cartridge. Example: a measurement of 20 to 18,000 Hz means that the frequency area between 20 and 18,000 Hz can be reproduced with no more than 3 dB below a reference frequency level.



STYLUS TYPE

The spherical stylus is perfect for tough handling and activities. Furthermore it reduces the record wear by scratch and back-cueing to an absolute minimum. Cartridges with spherical stylus are mainly for scratch DJs.

Concorde CLUB uses Special Elliptical stylus which has a better frequency response and dynamic range than the spherical stylus. Normal play-back use of a cartridge with an elliptical stylus causes minimum record wear. Cartridges with elliptical stylus are for users who do lighter back-cueing and scratching and want the best sound performance.

ortofon.com

VINYL PRESERVATION ACADEMY



From left to right: DJ Netik, DJ Angelo, Jose Rodriguez, Eskei 83, DJ ND & DJ Rafik

ORTOFON ENDORSEMENTS

Ortofon is involved in local sponsorships in cooperation with local Ortofon partners, sponsorships of DJ schools, world Champions and Basis DJs, likewise Championships and events.

FOLLOW US ON SOCIAL MEDIA



facebook.com/ortofon and facebook.com/ortofon.germany



instagram.com/ortofon_dj



[@ortofon_dj](https://twitter.com/ortofon_dj)



youtube.com/ortofonas2010